



**EN Videos & Tips
to Help Get Started**



**FR Vidéos et conseils pour vous aider
à utiliser votre dispositif**

DE Videos und Tipps für die ersten Schritte

ES Vídeos y consejos para comenzar

IT Video e suggerimenti per iniziare



**+1 866 510 0004
info@truellmed.com**

Dispositif de dégagement des
voies respiratoires /
Dispositif de pression expiratoire
positive par oscillations

Aerobika[®]

Airway Clearance Device /
Oscillating Positive
Expiratory Pressure Device



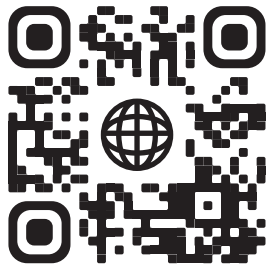


Communauté
Comunidad
Comunità

myAERO*
Community



| | | |
|----|--|----|
| EN | Aerobika* Airway Clearance Device / Oscillating Positive Expiratory Pressure Device | 3 |
| FR | Dispositif de dégagement des voies respiratoires / Dispositif de pression expiratoire positive par oscillations Aerobika* | 5 |
| DE | Aerobika* – System zur Befreiung der Atemwege / System mit oszillierendem, positivem Expirationsdruck | 8 |
| ES | Aerobika* Dispositivo de desobstrucción de las vías respiratorias / Dispositivo de presión espiratoria positiva oscilante | 12 |
| IT | Dispositivo per liberare le vie respiratorie / Dispositivo a pressione espiratoria positiva oscillante Aerobika* | 15 |



3011-ALLEN

Sign up now!
Inscrivez-vous maintenant!
Melden Sie sich jetzt an!
¡Regístrate hoy mismo!
Iscriviti subito!

EN Join the myAERO* Community

- Content to help you get started and get the most from your device
- Tips to manage your respiratory symptoms
- Opportunities to participate in contests and special offers
- Annual reminders to replace your device

FR Rejoignez la communauté myAERO*

- Contenu pour vous aider à commencer à utiliser votre dispositif et d'en optimiser les bienfaits
- Conseils pour gérer vos symptômes respiratoires
- Occasions de participer à des concours et de bénéficier d'offres spéciales
- Rappels annuels pour remplacer votre dispositif

DE Werden Sie Teil der myAERO* Community

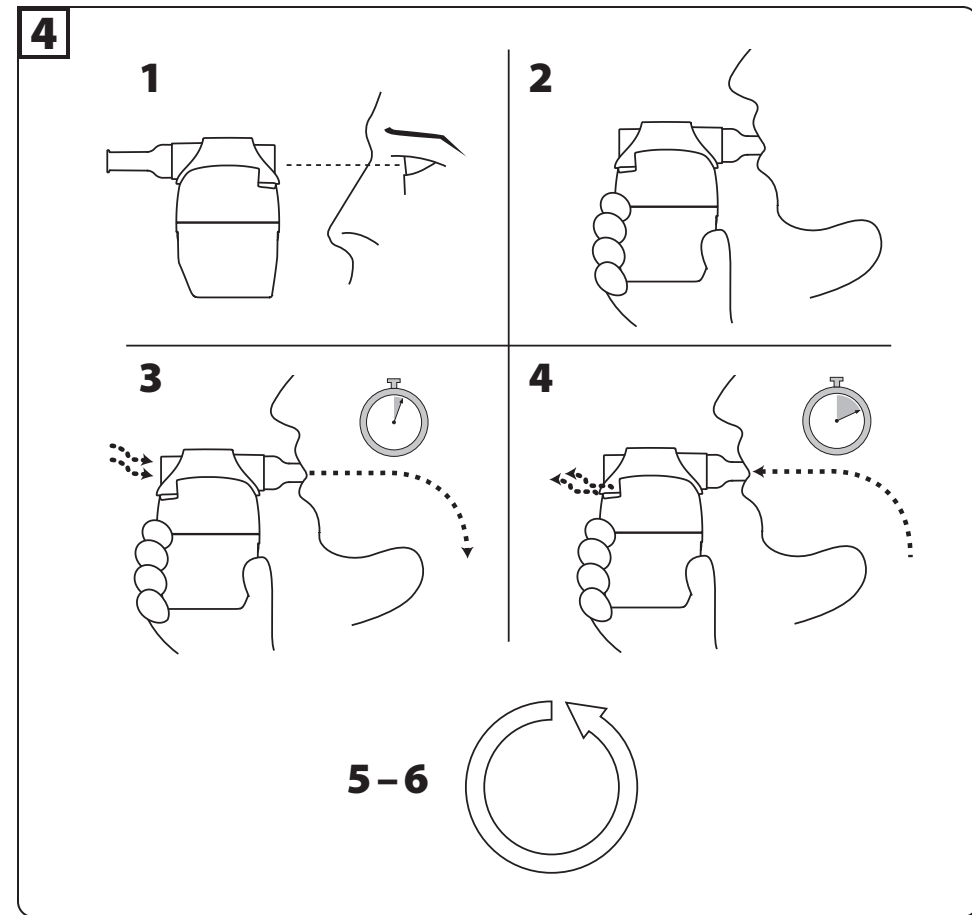
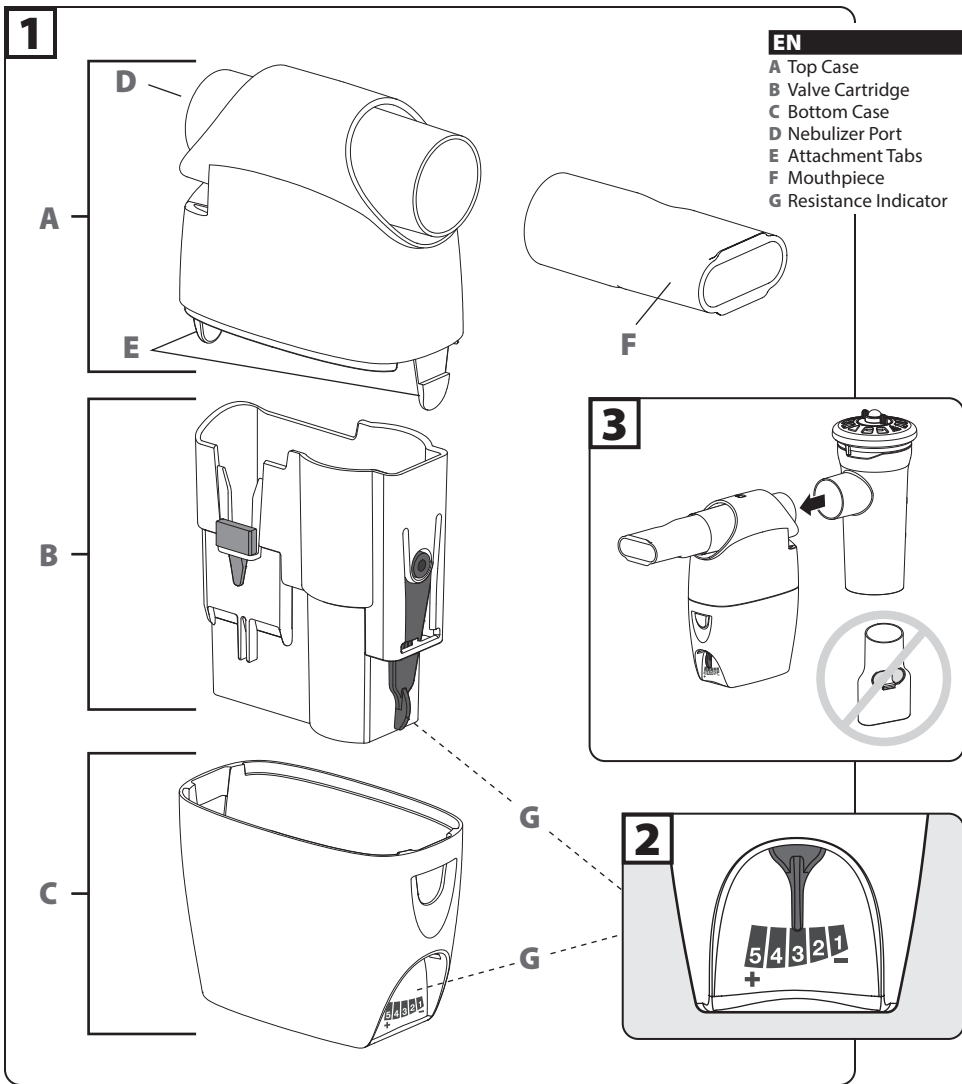
- Inhalte, die Ihnen die ersten Schritte erleichtern und das Beste aus Ihrem System herausholen
- Tipps zum Umgang mit Ihren Atemwegsbeschwerden
- Möglichkeiten zur Teilnahme an Gewinnspiele und Sonderangeboten
- Jährliche Erinnerungen zum Austausch Ihres Systems

ES Únase a la comunidad myAERO*

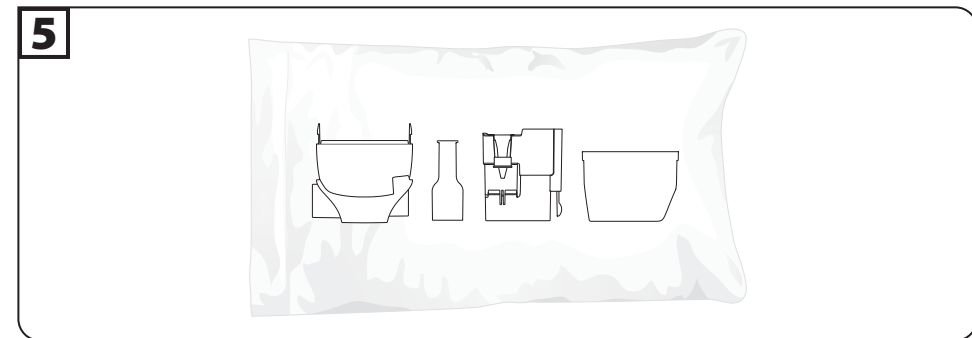
- Contenido para comenzar y sacar el máximo partido a su dispositivo
- Consejos para tratar los síntomas respiratorios
- Oportunidades para participar en concursos y ofertas especiales
- Recordatorios anuales para sustituir el dispositivo

IT Iscriviti alla comunità myAERO*

- Informazioni di base e contenuti per utilizzare al meglio il dispositivo
- Suggestimenti per gestire i sintomi respiratori
- Opportunità di partecipazione a concorsi e offerte speciali
- Promemoria annuali per la sostituzione del dispositivo



| FR | DE | ES | IT |
|----------------------------|------------------------|------------------------------|-------------------------------|
| A Boîtier supérieur | A Oberes Gehäuseeteil | A Carcasa superior | A Involucro superiore |
| B Cartouche à soupape | B Ventilsteckmodul | B Cartucho de la válvula | B Cartuccia della valvola |
| C Boîtier inférieur | C Unteres Gehäuseeteil | C Carcasa inferior | C Involucro inferiore |
| D Raccord du nébuliseur | D Vernebleranschluss | D Puerto para el nebulizador | D Raccordo per nebulizzatore |
| E Pattes de fixation | E Einrastungen | E Lengüetas de acoplamiento | E Linguetta di fissaggio |
| F Embout buccal | F Mundstück | F Boquilla | F Boccaglio |
| G Indicateur de résistance | G Widerstandsanzeiger | G Indicador de resistencia | G Indicatore della resistenza |



INTENDED USE

The **Aerobika*** Oscillating Positive Expiratory Pressure device is intended for use as a Positive Expiratory Pressure (PEP) device. The **Aerobika*** device may also be used simultaneously with nebulized aerosol drug delivery. The device is intended to be used by patients capable of generating exhalation flow of 10 L/min for 3–4 seconds.

INDICATION(S)

The **Aerobika*** Oscillating PEP device is an airway clearance therapy device used to mobilize excess lung secretions and improve breathing. It can be used to manage respiratory conditions such as COPD, bronchiectasis and Cystic Fibrosis.

Single patient use only.

CONTRAINDICATIONS

Use of the device is not recommended for the following conditions:

- Patients unable to tolerate the increased work of breathing
- Intracranial pressure (ICP) > 20 mm Hg
- Hemodynamic instability (blood pressure instability)
- Recent facial, oral, or skull surgery or trauma
- Acute sinusitis
- Epistaxis (bleeding nose)
- Esophageal surgery
- Nausea
- Active hemoptysis (bleeding from lungs)
- Untreated pneumothorax (untreated collapsed lung)
- Known or suspected tympanic membrane rupture or other middle ear pathology

⚠️ WARNINGS

Use of the device at excessive pressures may have adverse effects. Expiratory pressures above 20 cm H₂O in patients sensitive to increased transpulmonary pressure may develop one or more of the adverse side effects listed below. Expert clinical judgment should be exercised in the selection of the appropriate setting for each individual patient. Failure to match the appropriate resistance setting on the Adjustment Indicator with the patient's expiratory flow may result in failure to achieve therapeutic objectives of oscillatory PEP therapy or one or more adverse side effects listed below.

Adverse reactions may include

- Increased work of breathing that may lead to hypoventilation and hypercarbia
- Increased cranial pressure
- Cardiovascular compromise
 - Myocardial ischemia

- Decreased venous return
- Air swallowing with increased likelihood of vomiting and aspiration
- Claustrophobia
- Pulmonary barotraumas

USE INSTRUCTIONS

Before use, ensure these instructions have been read and are kept available at all times. If you have questions about the performance or use of this product, please contact your healthcare professional prior to use. For device descriptions see page 1, figure 1.

⚠️ **Warning:** Do not leave the device unattended with children. Contains small parts that can cause choking.

DEVICE SET UP

The **Aerobika*** device resistance setting should be set up by a healthcare professional using the following steps:

- 1 Start with the Resistance Indicator at the middle setting. (page 1, figure 2)
- 2 With the patient in a comfortable seated position, have them inhale through the device taking a deeper breath than normal, but not to total lung capacity, then exhale briskly but not forcefully through the device.
- 3 Resistance should be set so exhalation lasts for 3–4 times longer than inhalation. Resistance can be increased by moving the indicator to the left. To reduce resistance, move the indicator to the right.

Note: Selection of the proper resistance setting will produce the desired inspiratory:expiratory flow ratio of 1:3 or 1:4 for 10–20 minutes without excess fatigue.

4 Patients should be reevaluated periodically or with any change in status. As airways become less congested, more resistance will be needed to maintain inspiratory:expiratory ratios.

DEVICE USE

Treatments should be conducted twice daily or as directed by your healthcare professional. Although the **Aerobika*** device is orientation independent, it is recommended that treatments be done in a comfortably seated position. (page 2, figure 4)

1 Carefully examine the device.

- If there is any visible dust or other debris inside, then clean the device. Replace immediately if it is damaged or has missing parts.
- Ensure the Resistance Indicator is set as prescribed by your healthcare professional.
- Gently press the two halves together to make sure the Attachment Tabs are engaged.

2 Put the mouthpiece in mouth and close lips around it to ensure an effective seal. Make sure your hand does not block the exhalation path on the back of the device.

3 Inhale through the device taking a deeper breath than normal, but do not totally fill your lungs. Hold your breath for 2–3 seconds before exhaling.

4 Exhale actively, but not forcefully, through the device. Ideally, exhalation should last 3–4 times longer than inhalation. Keep your cheeks flat and firm to maximize treatment effectiveness. Ensure you maintain a good seal on the mouthpiece for the duration of the treatment.

Note: If you are unable to exhale through the device, check the resistance setting or try cleaning the device thoroughly.

5 Continue taking deep breaths and long exhalations for 10–20 breaths, or as instructed by your healthcare professional. After at least 10 breaths, perform 2–3 ‘huff’ coughs to clear your airways. Your healthcare professional will instruct you on the proper technique. For maximum efficacy, try to suppress coughing until the end of the treatment.

6 Repeat steps 3–5 for 10–20 minutes or as prescribed by your healthcare professional. The entire procedure should be performed at least twice a day on a regular basis, and increased to 3–4 times per day if you are producing a lot of mucus.

The goal is to keep your lungs clear and ventilatory capacity up. Continue with treatments on a regular basis even if you are bringing up just a little mucus.

USE WITH A NEBULIZER

The **Aerobika*** device may also be used with a small volume nebulizer with a 22 mm fitting. Your healthcare professional will advise which medication to use for combined treatments.

Medications which open the airways (eg. albuterol) or help to thin mucus (eg. hypertonic saline) would be good choices to use with the **Aerobika*** device because they help to remove or thin the mucus in your lungs.

⚠️ **Caution:** Medications to stay in the lungs, like antibiotics, should be taken with the nebulizer alone after completing a treatment with the **Aerobika*** device.

1 Ensure you have read and understood the instructions provided with the nebulizer prior to starting the treatment.

2 Ensure the nebulizer is set-up correctly and medication has been added to the nebulizer cup. Remove the mouthpiece (or mask) from the nebulizer.

3 Attach the nebulizer to the Nebulizer Port of the **Aerobika*** device, as shown in figure 3 (page 1).

4 Switch on the compressed air source, and complete the combined treatment using the breathing technique outlined above.

Notes:

- No adapter is required if used with the **AEROECLIPSE*** brand of breath actuated nebulizers.
- Ensure the nebulizer remains upright for proper nebulization.

• Always ensure the **Aerobika*** device mouthpiece is used, otherwise the device will not work properly. (page 1, figure 3)

• If used in combination with a nebulizer, the **Aerobika*** device should be cleaned after each use to remove any residue that may have deposited on exhalation.

CLEANING AND DISINFECTING INSTRUCTIONS

Healthcare professionals should always use clinical judgment to select the appropriate cleaning and disinfecting method and frequency, based on patient needs.

If necessary, clean the **Aerobika*** device once daily.

Note: Proper and regular cleaning of the device is important for it to work correctly.

1 DISASSEMBLY

- i. Press the Attachment Tabs on either side of the device. Holding the tabs in, gently pull up on the top case until the two parts separate.
- ii. Remove the valve cartridge. Do not disassemble any part of the cartridge.
- iii. To remove the mouthpiece, grip firmly and rotate while pulling away from the device.

2 CLEANING

Clean the **Aerobika*** device using one of the two following methods.

A Soap and Water

- i. Wash the four parts in a solution of tap water and liquid dish detergent, allowing the parts to soak for 15 minutes. Agitate gently several times.
- ii. Rinse with tap water.
- iii. Shake the parts to remove any excess water.

Note: Tap water can be high in minerals which may result in scale build-up in the device. If the local tap water supply is high in minerals, then every month soak the disassembled device in a solution of 1 cup vinegar and 1 cup water for 1 hour followed by a wash as normal.

B Dishwasher

- i. Secure the four parts in a basket on the top rack.
 - ii. Wash in a normal wash cycle with dishwasher detergent and a rinse aid if available.
 - iii. Shake the parts to remove any excess water.
- Note:** Dishwashing with overly dirty dishes is not recommended.

3 REASSEMBLY

- i. Ensure parts have air dried thoroughly.
- ii. Insert the valve cartridge into the bottom case. If it does not slip easily into place, rotate 180° and try again.
- iii. Connect the top and bottom cases until both Attachment Tabs “click” (this may occur

simultaneusment). Ensure the tabs are engaged by firmly pressing the two halves together.

iv. Reattach the mouthpiece.

4 DISINFECTION

If considered clinically necessary for the patient, healthcare professionals can instruct the patient to clean and disinfect the device following specific methods and frequencies (after each use).

Prior to disinfection follow the disassembly and cleaning instructions but do not reassemble the device.

Disinfect the **Aerobika**[®] device using any one of the following methods.

A Electronic Steam Disinfector

i. Place the four parts in an electronic steam sterilizer and follow the manufacturer's instructions for use.

ii. Remove from the unit and allow the parts to air dry thoroughly before reassembly.

B Boiling

i. Place the four parts in a pot with boiling water and boil for 5 minutes.

Note: Place a small rack on the bottom of the pot to prevent plastic parts from coming in contact with the hot bottom.

ii. Remove from the water without touching the water and allow parts to air dry thoroughly before reassembly.

C Microwave Steam Bag

i. Place the four parts in a microwave steam bag (i.e. Quick-Clean[†] MicroSteam[†] bag) and follow the manufacturer's instructions for use.

Note: Position parts in bag as shown in Figure 5 (page 2).

ii. Remove from bag and allow parts to air dry thoroughly before reassembly.

D Isopropyl Alcohol

i. Soak the four parts in 70% isopropyl alcohol for 5 minutes.

ii. Rinse thoroughly with sterile water.

iii. Allow to air dry thoroughly before reassembly.

E Hydrogen Peroxide

i. Soak the four parts in 3% hydrogen peroxide for 30 minutes.

ii. Rinse thoroughly with sterile water.

iii. Allow to air dry thoroughly before reassembly.

F Bleach

i. Soaked the four parts in a 1:50 bleach to water solution (approximately 1 tablespoon bleach in 3/4 cups water) for 3 minutes.

Note: You may substitute a respiratory equipment disinfectant (such as Milton[†], Dodie[†], Control III[†] or Cidex[†]) for the bleach solution. Follow the disinfectant instructions for use.

ii. Rinse thoroughly with sterile water.

iii. Allow to air dry thoroughly before reassembly.

NOTE

Any serious incident that has occurred in relation to the device should be reported to the manufacturer and the competent authority of the Member State, or the MHRA, as appropriate.

STORAGE

After the **Aerobika**[®] device is fully dry and assembled, store in a clean plastic bag or container.

RECYCLING

The **Aerobika**[®] OPEP device is recyclable. Recycling may be limited in your jurisdiction or local regulations may not permit it. Please consult with your community's recycling guidelines to determine availability of curbside recycling or recycling at a drop-off facility. Clean your device prior to recycling.

DISPOSAL

The device can be disposed of with domestic waste unless this is prohibited by the disposal regulations prevailing in the respective member countries.

ADDITIONAL INFORMATION

| | |
|---------------------------|------------------|
| Use Temperature Range | +15 °C to +40 °C |
| Storage Temperature Range | -40 °C to +60 °C |

• Product is free of Bisphenol A, Phthalates, Latex, Lead and PVC.

FR

UTILISATION PRÉVUE

Le dispositif de pression expiratoire positive par oscillations **Aerobika**[®] est destiné à être utilisé comme dispositif de pression expiratoire positive (PEP). Le dispositif **Aerobika**[®] peut également être utilisé en même temps qu'un médicament en aérosol administré à l'aide d'un nébuliseur. Le dispositif est destiné à être utilisé par des patients capables de générer un débit d'expiration de 10 L/min pendant 3 à 4 secondes.

INDICATION(S)

Le dispositif de PEP par oscillations **Aerobika**[®] est un dispositif thérapeutique de dégagement des voies respiratoires utilisé pour mobiliser les sécrétions pulmonaires excédentaires et améliorer la respiration. Il peut être utilisé pour la prise en charge des affections respiratoires comme la MPOC, la bronchectasie et la fibrose kystique.

Utilisation chez un seul patient.

CONTRE-INDICATIONS

L'utilisation du dispositif n'est pas recommandée dans les cas suivants :

• L'utilisation du dispositif n'est pas recommandée dans les cas suivants :

- Patients incapables de tolérer tout effort respiratoire accru
- Pression intracrânienne (PIC) > 20 mm Hg
- Instabilité hémodynamique (instabilité de la tension artérielle)
- Chirurgie ou traumatisme récent du visage, de la bouche ou du crâne
- Sinusite aiguë
- Épistaxis (saignement de nez)
- Chirurgie œsophagienne
- Nausées
- Hémoptysie active (saignement des poumons)
- Pneumothorax non traité (poumon collabé non traité)
- Rupture connue ou suspectée de la membrane tympanique ou autre pathologie de l'oreille moyenne

⚠ AVERTISSEMENTS

L'utilisation du dispositif à des pressions excessives peut avoir des effets indésirables. Les pressions expiratoires supérieures à 20 cm H₂O chez les patients sensibles à une pression transpulmonaire accrue peuvent entraîner l'un ou plusieurs des effets secondaires indésirables énumérés ci-dessous. Un jugement clinique expert doit être exercé dans la sélection du réglage approprié pour chaque patient. Si le réglage de résistance sur l'indicateur ne correspond pas au débit d'expiration du patient, les objectifs du traitement par PEP par oscillations pourraient ne pas être atteints; l'un ou plusieurs des effets secondaires indésirables ci-dessous pourraient aussi survenir.

Les effets indésirables peuvent comprendre :

- Une augmentation de l'effort respiratoire pouvant conduire à l'hypoventilation et à l'hypercapnie
- Une augmentation de la pression crânienne
- Des troubles cardiovasculaires
 - Une ischémie myocardique
 - Une diminution du retour veineux
- Une déglutition d'air avec risque accru de vomissement et d'aspiration
- Une claustrophobie
- Des barotraumatismes pulmonaires

MODE D'EMPLOI

Avant toute utilisation, s'assurer que les présentes instructions ont été lues et qu'elles sont accessibles en tout temps. En cas de questions sur les performances ou l'utilisation de ce produit, s'adresser à un professionnel de la santé avant de l'utiliser. Pour l'identification des pièces du dispositif, voir la figure 1 présentée à la page 1.

⚠ **Avertissement :** Ne pas laisser le dispositif sans surveillance avec des enfants. Contient des petites pièces qui peuvent causer un étouffement.

PRÉPARATION DU DISPOSITIF

Le réglage de la résistance du dispositif **Aerobika**[®] doit être effectué par un professionnel de la santé en suivant les étapes suivantes :

1 Commencer par le réglage intermédiaire de l'indicateur de résistance (page 1, figure 2).

2 Le patient étant en position assise confortable, lui faire inspirer à travers le dispositif en prenant une respiration plus profonde que la normale, mais sans atteindre la capacité pulmonaire totale, puis le faire expirer vivement, mais sans forcer à travers le dispositif.

3 La résistance doit être réglée de manière à ce que l'expiration dure 3 à 4 fois plus longtemps que l'inhalation. La résistance peut être augmentée en déplaçant l'indicateur vers la gauche. Pour réduire la résistance, déplacer l'indicateur vers la droite.

Remarque : La sélection du réglage de résistance approprié produira le rapport de débit d'inspiration/expiration souhaité de 1:3 ou 1:4 pendant 10 à 20 minutes sans fatigue excessive.

4 Les patients doivent être réévalués périodiquement ou lors de tout changement d'état. À mesure que les voies respiratoires sont moins encombrées, une plus grande résistance sera nécessaire pour maintenir le rapport de débit d'inspiration/expiration.

UTILISATION DU DISPOSITIF

Les traitements doivent être effectués deux fois par jour ou selon les directives du professionnel de la santé. Bien que le dispositif **Aerobika**[®] s'utilise indépendamment de la position du patient, il est recommandé que les traitements soient effectués lorsque le patient se trouve dans une position assise confortable (page 2, figure 4).

1 Examiner attentivement le dispositif.

- S'il y a de la poussière ou d'autres débris visibles à l'intérieur, nettoyer le dispositif. Remplacer immédiatement le dispositif s'il est endommagé ou si des pièces sont manquantes.
- S'assurer que l'indicateur de résistance est réglé comme prescrit par le professionnel de la santé.
- Presser doucement les deux boîtiers ensemble pour s'assurer que les pattes de fixation sont bien enclenchées.

2 Mettre l'embout buccal dans la bouche et fermer les lèvres autour pour assurer une étanchéité efficace. S'assurer que la main ne bloque pas le chemin d'expiration à l'arrière du dispositif.

3 Inspirer à travers le dispositif en prenant une respiration plus profonde que la normale, mais ne pas remplir totalement les poumons. Retenir son souffle pendant 2 à 3 secondes avant d'expirer.

4 Expirer activement, mais pas avec force, à travers le dispositif. Idéalement, l'expiration devrait durer 3 à 4 fois plus longtemps que l'inhalation. Garder les joues plates et fermes pour maximiser l'efficacité du traitement. Maintenir une bonne étanchéité

de l'embout buccal pendant toute la durée du traitement.

Remarque : S'il n'est pas possible d'expirer à travers le dispositif, vérifier le réglage de la résistance ou tenter de nettoyer soigneusement le dispositif.

5 Continuer à prendre des inspirations profondes et à expirer longuement pendant 10 à 20 respirations, ou selon les directives du professionnel de la santé. Après au moins 10 respirations, effectuer 2 ou 3 toussotements pour dégager les voies respiratoires. Le professionnel de la santé vous enseignera la bonne technique. Pour une efficacité maximale, tenter de réprimer la toux jusqu'à la fin du traitement.

6 Répéter les étapes 3 à 5 pendant 10 à 20 minutes ou comme indiqué par le professionnel de la santé. La procédure complète doit être effectuée au moins deux fois par jour de façon régulière et portée à 3-4 fois par jour en cas de production de beaucoup de mucus.

L'objectif est de garder les poumons dégagés et une capacité ventilatoire élevée. Continuer les traitements de façon régulière, même en cas de production de peu de mucus.

UTILISATION AVEC UN NÉBULISSEUR

Le dispositif **Aerobika*** peut également être utilisé avec un nébuliseur de petit volume doté d'un raccord de 22 mm. Votre professionnel de la santé vous conseillera sur les médicaments à utiliser pour les traitements combinés.

Les médicaments qui ouvrent les voies respiratoires (p. ex. l'albutérol) ou qui aident à éclaircir le mucus (p. ex. les solutions salées hypertoniques) seraient de bons choix à utiliser avec le dispositif **Aerobika***, car ils aident à éliminer ou à éclaircir le mucus dans les poumons.

⚠ Mise en garde : Les médicaments qui restent dans les poumons, comme les antibiotiques, doivent être pris avec le nébuliseur seul après avoir terminé un traitement avec le dispositif **Aerobika***.

1 S'assurer d'avoir lu et compris le mode d'emploi fourni avec le nébuliseur avant de commencer le traitement.

2 S'assurer que le nébuliseur est correctement réglé et que des médicaments ont été ajoutés dans la coupelle du nébuliseur. Retirer l'embout buccal (ou le masque) du nébuliseur.

3 Fixer le nébuliseur au raccord de nébuliseur du dispositif **Aerobika***, comme l'indique la figure [3] (page 1).

4 Mettre en marche la source d'air comprimé, puis terminer le traitement combiné en utilisant la technique respiratoire décrite ci-dessus.

Remarques :

- Aucun adaptateur n'est nécessaire si le dispositif est utilisé avec les nébuliseurs actionnés par la respiration de la marque **AEROECLIPSE***.

- S'assurer que le nébuliseur reste en position verticale pour une nébulisation adéquate.

- Toujours s'assurer que l'embout buccal du dispositif **Aerobika*** est utilisé. Dans le cas contraire, le dispositif ne fonctionnera pas correctement (page 1, figure [3]).

- S'il est utilisé en combinaison avec un nébuliseur, le dispositif **Aerobika*** doit être nettoyé après chaque utilisation afin d'éliminer tout résidu qui aurait pu se déposer lors de l'expiration.

INSTRUCTIONS DE NETTOYAGE ET DE DÉSINFECTION

Les professionnels de la santé doivent toujours faire preuve de jugement clinique pour choisir la méthode et la fréquence de nettoyage et de désinfection appropriées, en fonction des besoins du patient.

Si nécessaire, nettoyer le dispositif **Aerobika*** une fois par jour.

Remarque : Pour que le dispositif fonctionne correctement, il est important de le nettoyer adéquatement et régulièrement.

1 DÉMONTAGE

i. Appuyer sur les pattes de fixation situées de chaque côté du dispositif. En maintenant les pattes appuyées vers l'intérieur, tirer doucement sur le boîtier supérieur jusqu'à ce que les deux boîtiers se séparent.

ii. Retirer la cartouche à soupape. Ne pas démonter les pièces de la cartouche.

iii. Pour retirer l'embout buccal, il faut le saisir fermement et le faire tourner tout en l'éloignant du dispositif.

2 NETTOYAGE

Nettoyer le dispositif **Aerobika*** à l'aide de l'une des deux méthodes suivantes.

A Eau savonneuse

i. Laver les quatre pièces dans une solution composée d'eau du robinet et de détergent à vaisselle liquide, en laissant tremper les pièces pendant 15 minutes. Agiter doucement plusieurs fois.

ii. Rincer à l'eau du robinet.

iii. Secouer les pièces pour éliminer tout excès d'eau.

Remarque : L'eau du robinet peut être riche en minéraux, ce qui peut entraîner une accumulation de calcaire dans le dispositif. Si l'eau du robinet est riche en minéraux dans votre région, faire tremper chaque mois le dispositif démonté dans une solution composée de 1 tasse de vinaigre et de 1 tasse d'eau pendant 1 heure, puis le laver normalement.

B Lave-vaisselle

i. Placer les quatre pièces dans un panier placé dans le bac supérieur.

ii. Laver au cycle de lavage normal avec du détergent pour lave-vaisselle et un produit de rinçage si possible.

iii. Secouer les pièces pour éliminer tout excès d'eau.

Remarque : Il n'est pas recommandé de laver les pièces avec de la vaisselle très sale.

3 REMONTAGE

i. S'assurer que les pièces ont entièrement séché à l'air.

ii. Insérer la cartouche à soupape dans le boîtier inférieur. Si elle ne s'insère pas facilement en place, la faire pivoter de 180° et essayer à nouveau.

iii. Assembler les boîtiers supérieur et inférieur jusqu'à ce que les deux pattes de fixation s'enclenchent en faisant entendre chacune un clic (cela peut se produire simultanément). S'assurer que les pattes sont bien engagées en pressant fermement les deux boîtiers ensemble.

iv. Remettre l'embout buccal en place.

4 DÉSINFECTION

Si cela est jugé cliniquement nécessaire pour le patient, les professionnels de la santé peuvent demander au patient de nettoyer et de désinfecter le dispositif selon des méthodes et des fréquences spécifiques (après chaque utilisation).

Avant la désinfection, suivre les instructions de démontage et de nettoyage, mais ne pas remonter le dispositif.

Désinfecter le dispositif **Aerobika*** à l'aide de l'une des méthodes suivantes.

A Stérilisateur à vapeur électronique

i. Placer les quatre pièces dans un stérilisateur à vapeur électronique, puis suivre le mode d'emploi du fabricant.

ii. Sortir les pièces du stérilisateur et bien les laisser sécher à l'air avant le remontage.

B Eau bouillante

i. Placer les quatre pièces dans une casserole contenant de l'eau bouillante, puis faire bouillir pendant 5 minutes.

Remarque : Placer une petite grille au fond de la casserole pour éviter que les pièces en plastique n'entrent en contact avec le fond chaud.

ii. Retirer les pièces de l'eau sans les toucher, puis bien les laisser sécher à l'air avant le remontage.

C Sac à vapeur allant au micro-ondes

i. Placer les quatre pièces dans un sac à vapeur allant au micro-ondes (c.-à-d. le sac Quick-Clean[®] MicroSteam[®]) et suivre le mode d'emploi du fabricant.

Remarque : Placer les pièces dans le sac comme l'indique la figure [5] (page 2).

ii. Sortir les pièces du sac et bien les laisser sécher à l'air avant le remontage.

D Alcool isopropylique

i. Immerger les quatre pièces dans de l'alcool isopropylique à 70 % pendant 5 minutes.

ii. Rincer abondamment à l'eau stérile.

iii. Bien laisser sécher à l'air avant le remontage.

E Peroxyde d'hydrogène

i. Immerger les quatre pièces dans du peroxyde d'hydrogène à 3 % pendant 30 minutes.

ii. Rincer abondamment à l'eau stérile.

iii. Bien laisser sécher à l'air avant le remontage.

F Eau de Javel

i. Immerger les quatre pièces dans une solution composée d'une part d'eau de Javel diluée dans 50 parts d'eau (1 cuillère à soupe d'eau de Javel dans 3¼ tasses d'eau) pendant 3 minutes.

Remarque : La solution d'eau de Javel peut être remplacée par un désinfectant pour appareils respiratoires (comme Milton[®], Dodie[®], Control III[®] ou Cidex[®]). Suivre le mode d'emploi du désinfectant.

ii. Rincer abondamment à l'eau stérile.

iii. Bien laisser sécher à l'air avant le remontage.

REMARQUE

Tout incident grave survenu en rapport avec le dispositif doit être signalé au fabricant et à l'autorité compétente du pays membre, ou à la MHRA, selon le cas.

ENTREPOSAGE

Une fois le dispositif **Aerobika*** complètement sec et assemblé, le ranger dans un sac ou un récipient en plastique propre.

RECYCLAGE

Le dispositif de PEPO **Aerobika*** est recyclable. Le recyclage peut être limité dans votre région, ou il se peut que les réglementations locales ne le permettent pas. Veuillez consulter les directives de recyclage de votre communauté pour déterminer la disponibilité du recyclage en bordure de rue ou du recyclage dans un centre de dépôt. Nettoyez votre dispositif avant de le recycler.

MISE AU REBUT

Le dispositif peut être jeté avec les déchets ménagers, sauf si cela est interdit par la réglementation de mise au rebut en vigueur dans les pays membres respectifs.

INFORMATIONS SUPPLÉMENTAIRES

Températures d'utilisation tolérées :

+15 °C à +40 °C

Températures d'entreposage tolérées :

-40 °C à +60 °C

• Ce produit ne contient pas de bisphénol A (BPA), de phtalates, de latex, de plomb ou de PVC.

DE

VERWENDUNGSZWECK

Das oszillierende positive expiratorische Drucktherapiegerät **Aerobika*** ist zur Verwendung als ein positives expiratorisches Druckgerät (Positive Expiratory Pressure, PEP-Gerät) vorgesehen.

Das PEP-Gerät **Aerobika*** eignet sich auch zur gleichzeitigen Verwendung mit einer vernebelten Aerosolmedikationsverabreichung. Das Gerät ist für die Anwendung durch Patienten vorgesehen, die einen Ausatemfluss von 10 L/min für 3 bis 4 Sekunden erzeugen können.

INDIKATION(EN)

Das oszillierende PEP-Gerät **Aerobika*** ist ein Therapiegerät zur Clearance der Atemwege, mit dem überschüssiger Schleim aus der Lunge gelöst und die Atmung verbessert wird. Es kann zur Behandlung von Atemwegserkrankungen wie einer chronisch obstruktiven Lungenerkrankung (COPD), Bronchiektase und Mukoviszidose eingesetzt werden.

Nur für die Verwendung an einem Patienten.

VORSICHTSHINWEISE

- Das Gerät in Gegenwart von Kindern nicht unbeaufsichtigt lassen. Es ist kein Spielzeug.
- Bei auseinandergenommenem Gehäuse nicht auf die Einrastungen drücken. Dadurch können die Zungen abbrechen, und das Gerät kann nicht mehr ordnungsgemäß zusammengesetzt werden.
- Stellen Sie sicher, dass Kontraindikationen beachtet werden.

KONTRAINDIKATIONEN

Die Verwendung des Geräts wird unter den folgenden Bedingungen nicht empfohlen:

- Patienten vertragen die erhöhte Atemarbeit nicht
- Intrakranieller Druck (ICP) von mehr als 20 mmHg
- Hämodynamische Instabilität (instabiler Blutdruck)
- Kürzliche Gesichts-, Mund- oder Schädeloperationen oder -trauma
- Akute Sinusitis
- Epistaxis (Nasenbluten)
- Ösophagusoperation
- Übelkeit
- Aktive Hämoptyse (Bluten aus der Lunge)
- Unbehandelter Pneumothorax (unbehandelte kollabierte Lunge)
- Bekannte oder Verdacht auf Ruptur des Trommelfells oder sonstige Mittelohrerkrankungen

⚠ WARNUNGEN

Die Verwendung des Geräts bei übermäßigem Druck kann negative Auswirkungen haben. Das Ausatmen mit einem Druck von über 20 cm H₂O bei Patienten, die auf transpulmonalen Druck empfindlich reagieren, kann zur Entwicklung einer oder mehrerer der nachfolgend aufgeführten unerwünschten Nebenwirkungen führen. Die richtige Einstellung für jeden einzelnen Patienten ist nach einem klinischen Expertenurteil zu wählen. Wenn die geeignete Widerstandseinstellung auf der Einstellungsanzeige nicht auf den Ausatemfluss des Patienten abgestimmt wird, kann es dazu führen, dass die therapeutischen

Ziele der oszillierenden PEP-Therapie nicht erreicht werden oder eine bzw. mehrere der nachfolgend aufgeführten unerwünschten Nebenwirkungen eintreten.

Mögliche Nebenwirkungen umfassen

- Erhöhte Atemarbeit, die zu Hypoventilation und Hyperkarbie führen kann
- Erhöhter kranialer Druck
- Kardiovaskuläre Beeinträchtigung
 - Myokardischämie
 - Verringerter venöser Rückstrom
- Verschluckten von Luft mit erhöhter Wahrscheinlichkeit von Erbrechen und Aspiration
- Klaustrophobie
- Lungendruckverletzungen

GEBRAUCHSANWEISUNG

Stellen Sie vor der Verwendung sicher, dass Sie diese Anweisungen gelesen wurden und stets griffbereit sind. Wenn Sie Fragen zur Leistung oder Verwendung dieses Produkts haben, wenden Sie sich bitte vor der Verwendung an Ihren Arzt. Gerätebeschreibungen sind in Abbildung 1 zu finden (Seite 1).

⚠ **Warnung:** Lassen Sie das Gerät nicht unbeaufsichtigt in der Nähe von Kindern. Erstickungsgefahr – enthält Kleinteile.

EINRICHTUNG DES GERÄTS

Die Widerstandseinstellung des Geräts **Aerobika*** sollte von einer medizinischen Fachkraft anhand der folgenden Schritte eingerichtet werden:

1 Beginnen Sie mit der mittleren Einstellung des Widerstandsanzeigers. (Seite 1, Abb. 2)

2 Lassen Sie den Patienten in einer bequemen Sitzposition durch das Gerät einatmen. Dabei sollte der Atemzug tiefer als normal sein, jedoch nicht bis zur gesamten Lungenkapazität. Lassen Sie dann den Patienten schnell, aber nicht zu stark durch das Gerät ausatmen.

3 Der Widerstand ist so einzustellen, dass das Ausatmen 3 bis 4 Mal länger dauert als das Einatmen. Der Widerstand kann erhöht werden, indem der Anzeiger nach links bewegt wird. Zum Verringern des Widerstands schieben Sie den Anzeiger wieder nach rechts.

Hinweis: Die Auswahl der richtigen Widerstandseinstellung führt zu dem gewünschten Inspirations-/Expirationsverhältnis von 1:3 oder 1:4 für 10 bis 20 Minuten ohne übermäßige Ermüdung.

4 Patienten sollten in regelmäßigen Abständen oder bei jeder Statusänderung erneut untersucht werden. Da die Atemwege weniger verstopft sind, ist mehr Widerstand erforderlich, um die Inspirations-/Expirationsverhältnisse beizubehalten.

Hinweis:

Variabler Widerstand zur Steuerung des positiven Ausatemungsdrucks:

Das **Aerobika*** OPEP-Gerät verfügt über 5 verschiedene Einstellungen zur Steuerung des Expirationswiderstands.

Die Widerstandseinstellung bestimmt, in Kombination mit der Ausatemungsflussrate des Patienten, den positiven Druck.

Aus den vorliegenden TMI-Daten geht hervor, dass der Druck zwischen ungefähr 3 cmH₂O (bei der niedrigsten Widerstandseinstellung und 10 L/min Ausatemungsflussrate) und 18 cmH₂O (bei der höchsten Widerstandseinstellung und 30 L/min Ausatemungsflussrate) liegt.

Daher kann der Widerstand so gesteuert werden, dass der **Aerobika*** OPEP in einem sicheren und effektiven Druckbereich arbeitet.¹

Ungefähre Werte, die aus TMI-Daten geschätzt werden

| Widerstandseinstellung | Mittlerer Druck (cmH ₂ O) | | |
|------------------------|--------------------------------------|--------------------------|--------------------------|
| | 10 L/min Durchflussmenge | 20 L/min Durchflussmenge | 30 L/min Durchflussmenge |
| 1 (niedrigste) | 4 | 6 | 10 |
| 2 | 5 | 8 | 12 |
| 3 | 6 | 10 | 14 |
| 4 | 7 | 12 | 16 |
| 5 (höchste) | 8 | 13 | 18 |

VERWENDUNG DES GERÄTS

Behandlungen sollten zweimal täglich oder nach Anweisung Ihrer medizinischen Fachkraft durchgeführt werden. Obwohl das Gerät **Aerobika*** unabhängig von der Ausrichtung verwendet werden kann, wird empfohlen, die Behandlungen in einer bequemen sitzenden Position durchzuführen (Seite 2, Abb. 4).

1 Prüfen Sie das Gerät sorgfältig.

- Wenn sich sichtbarer Staub oder andere Fremdkörper im Inneren befinden, reinigen Sie das Gerät. Ersetzen Sie das Gerät sofort bei Beschädigung oder fehlenden Teilen.
- Stellen Sie sicher, dass der Widerstandsanzeiger wie von Ihrer medizinischen Fachkraft vorgeschrieben eingestellt ist.
- Drücken Sie die beiden Hälften vorsichtig zusammen, um sicherzustellen, dass die Einrastungen eingerastet sind.

2 Nehmen Sie das Mundstück in den Mund und schließen Sie die Lippen um das Mundstück, um eine effektive Abdichtung zu erreichen. Vergewissern Sie sich, dass Ihre Hand den Ausatemungsweg auf der Rückseite des Geräts nicht blockiert.

3 Atmen Sie durch das Gerät ein, indem Sie tiefer als normal einatmen, Ihre Lunge aber nicht vollständig ausfüllen. Halten Sie den Atem 2 bis 3 Sekunden lang an, bevor Sie ausatmen.

4 Atmen Sie aktiv, aber nicht zu kräftig durch das Gerät aus. Idealerweise sollte Ihre Ausatmung 3

bis 4 Mal länger dauern als Ihre Einatmung. Halten Sie Ihre Wangen flach und gespannt, um die Behandlungswirksamkeit zu maximieren. Achten Sie darauf, während der gesamten Behandlung das Mundstück gut abzudichten.

Hinweis: Wenn Sie durch das Gerät nicht ausatmen können, prüfen Sie die Widerstandseinstellung oder versuchen Sie, das Gerät gründlich zu reinigen.

5 Atmen Sie weiterhin für 10 bis 20 Atemzügen tief ein und lang aus oder so lange, wie von Ihrer medizinischen Fachkraft verschrieben. Nach mindestens 10 Atemzügen husten Sie zwei bis drei Mal in Form kleiner Hustenstöße (Huffing-Technik), um Ihre Atemwege freizumachen. Ihre medizinische Fachkraft wird Ihnen die richtige Technik zeigen. Für eine maximale Wirksamkeit versuchen Sie, das Husten bis zum Ende der Behandlung zu unterdrücken.

6 Wiederholen Sie die Schritte 3 – 5 für 10 bis 20 Minuten oder so lange, wie von Ihrer medizinischen Fachkraft verschrieben. Das gesamte Verfahren sollte regelmäßig mindestens zweimal täglich durchgeführt werden. Falls Sie viel Schleim ausstoßen, sollte die Behandlung auf 3 bis 4 Mal täglich erhöht werden.

Ziel ist es, Ihre Lunge frei und die Atemfähigkeit aufrechtzuerhalten. Führen Sie die Behandlungen weiterhin regelmäßig durch, selbst wenn Sie nur wenig Schleim ausstoßen.

VERWENDUNG MIT EINEM VERNEBLER

Das Gerät **Aerobika*** kann auch mit einem kleinvolumigen Vernebler mit einem 22-mm-Anschluss verwendet werden. Ihre medizinische Fachkraft wird Sie beraten, welche Medikation für die kombinierte Behandlung zu verwenden ist.

Medikamente, die die Atemwege öffnen (z. B. Albuterol) oder bei der Schleimverdünnung helfen (z. B. hypertone Kochsalzlösung) sind für die Verwendung mit dem Gerät **Aerobika*** gut geeignet, da sie zur Entfernung oder Verdünnung des Schleims in Ihrer Lunge beitragen.

⚠ **Vorsicht:** Medikamente wie Antibiotika, die in der Lunge verbleiben sollen, sollten erst nach Abschluss der Behandlung mit dem Gerät **Aerobika*** genommen werden.

1 Vergewissern Sie sich, dass Sie die mit dem Vernebler gelieferten Anweisungen gelesen und verstanden haben, bevor Sie mit der Behandlung beginnen.

2 Stellen Sie sicher, dass der Vernebler korrekt eingerichtet ist und das Medikament dem Verneblerbehälter hinzugefügt wurde. Entfernen Sie das Mundstück (oder die Maske) vom Vernebler.

3 Schließen Sie den Vernebler an den Vernebleranschluss des Geräts **Aerobika*** wie in Abbildung 3 (Seite 1) dargestellt an.

4 Schalten Sie die Druckluftversorgung ein und führen Sie die kombinierte Behandlung mithilfe der oben beschriebenen Atemtechnik durch.

Hinweise:

- Bei Verwendung mit dem atemzuggesteuerten Vernebler **AEROECLIPSE*** ist kein Adapter erforderlich.
- Achten Sie darauf, dass der Vernebler für eine korrekte Verneblung aufrecht steht.
- Stellen Sie immer sicher, dass das Mundstück des Geräts **Aerobika*** verwendet wird, da das Gerät ansonsten nicht ordnungsgemäß funktioniert. (Seite 1, Abb. [3])
- Bei Verwendung in Kombination mit einem Vernebler muss das Gerät **Aerobika*** nach jedem Gebrauch gereinigt werden, um sämtliche Rückstände, die sich möglicherweise bei der Exhalation angesammelt haben, zu entfernen.

REINIGUNGS- UND DESINFEKTIONSANLEITUNG

Medizinische Fachkräfte müssen immer nach klinischem Ermessen die richtige Reinigungs- und Desinfektionsmethode und -häufigkeit basierend auf den Patientenbedürfnissen auswählen.

Reinigen Sie das Gerät **Aerobika*** bei Bedarf täglich.

Hinweis: Eine richtige und regelmäßige Reinigung des Geräts ist für die ordnungsgemäße Funktion wichtig.

1 ZERLEGEN

- i. Drücken Sie auf die Einrastungen an beiden Seiten des Geräts. Halten Sie die Zungen gedrückt und ziehen Sie vorsichtig am oberen Gehäuseeteil, bis sich die zwei Teile trennen.
- ii. Entfernen Sie das Ventilsteckmodul. Nehmen Sie kein Teil des Steckmoduls auseinander.
- iii. Um das Mundstück zu entfernen, halten Sie es fest und drehen Sie es, während Sie es vom Gerät wegziehen.

2 REINIGUNG

Reinigen Sie das Gerät **Aerobika*** anhand einer der beiden nachfolgend beschriebenen Methoden.

A Seife und Wasser

- i. Waschen Sie die vier zerlegten Teile in einer Lösung aus Leitungswasser und flüssigem Geschirrspülmittel und lassen Sie dabei die Teile 15 Minuten lang in der Lösung einweichen. Bewegen Sie die Teile mehrmals vorsichtig hin und her.
- ii. Spülen Sie die Teile mit Leitungswasser.
- iii. Schütteln Sie die Teile, damit überschüssiges Wasser abtropfen kann.

Hinweis: Leitungswasser kann einen hohen Gehalt an Mineralien aufweisen, was zu Kesselsteinbildung im Gerät führen kann. Wenn Ihre örtliche Leitungswasserversorgung reich an Mineralien ist, muss das zerlegte Gerät jeden Monat für eine Stunde in eine Lösung aus einer Tasse Essig und einer Tasse Wasser eingeweicht werden. Anschließend müssen die Teile wie normal gewaschen werden.

B GESCHIRRSPÜLMASCHINE

- i. Legen Sie die vier Teile in einen Korb im oberen Fach der Spülmaschine.
- ii. Waschen Sie die Teile in einem normalen Waschvorgang mit Spülmaschinen-Geschirrspülmittel und gegebenenfalls mit Klarspüler.
- iii. Schütteln Sie die Teile, damit überschüssiges Wasser abtropfen kann.

Hinweis: Vom Spülen zusammen mit übermäßig verschmutztem Geschirr wird abgeraten.

3 ZUSAMMENSETZEN

- i. Stellen Sie sicher, dass die Teile gründlich an der Luft getrocknet sind.
- ii. Stecken Sie das Ventilsteckmodul in das untere Gehäuseeteil ein. Wenn es sich nicht leicht einstecken lässt, drehen Sie es um 180° und versuchen Sie es erneut.
- iii. Verbinden Sie das obere und untere Gehäuseeteil, bis die beiden Einrastungen mit einem hörbaren Klickgeräusch einrasten (das kann gleichzeitig passieren). Stellen Sie sicher, dass die Zungen fest eingerastet sind, indem Sie die beiden Hälften zusammendrücken.
- iv. Bringen Sie das Mundstück wieder an.

4 DESINFEKTION

Falls es für den Patienten als klinisch notwendig erachtet wird, kann die medizinische Fachkraft den Patienten anweisen, das Gerät nach bestimmten Methoden und Häufigkeiten (nach jedem Gebrauch) zu reinigen und zu desinfizieren. Befolgen Sie vor der Desinfektion die Anleitungen zum Zerlegen und Reinigen des Geräts, setzen Sie das Gerät aber nicht wieder zusammen. Desinfizieren Sie das Gerät **Aerobika*** anhand einer der nachfolgend beschriebenen Methoden.

A Elektronisches Dampfdesinfektionsgerät

- i. Legen Sie die vier Teile in einen elektronischen Dampfsterilisator und befolgen Sie die Gebrauchsanweisung des Herstellers.
- ii. Nehmen Sie die Teile aus der Einheit heraus und lassen Sie sie gründlich an der Luft trocknen, bevor Sie sie wieder zusammenbauen.

B Abkochen

- i. Legen Sie die vier Teile in einen Topf mit kochendem Wasser und lassen Sie die Teile 5 Minuten kochen.

Hinweis: Legen Sie ein kleines Gitter auf den Topfboden, um zu verhindern, dass Kunststoffteile mit dem heißen Topfboden in Berührung kommen.

- ii. Nehmen Sie die Teile vorsichtig aus dem Wasser heraus und lassen Sie sie gründlich an der Luft trocknen, bevor Sie sie wieder zusammenbauen.

C Dampfbeutel Für Die Mikrowelle

- i. Legen Sie die vier Teile in einen Dampfbeutel für die Mikrowelle (z. B. Dampfbeutel für Quick-

Clean⁺ MicroSteam⁺) und befolgen Sie die Gebrauchsanweisung des Herstellers.

Hinweis: Legen Sie die Teile wie in Abbildung [5] (Seite 2) dargestellt in den Beutel.

- ii. Nehmen Sie die Teile aus dem Beutel heraus und lassen Sie sie gründlich an der Luft trocknen, bevor Sie sie wieder zusammenbauen.

D Isopropylalkohol

- i. Weichen Sie die vier Teile 5 Minuten lang in 70%igem Isopropylalkohol ein.
- ii. Spülen Sie die Teile gründlich mit sterilem Wasser.
- iii. Lassen Sie die Teile gründlich an der Luft trocknen, bevor Sie sie wieder zusammenbauen.

E Wasserstoffperoxid

- i. Weichen Sie die vier Teile 30 Minuten lang in 3%igem Wasserstoffperoxid ein.
- ii. Spülen Sie die Teile gründlich mit sterilem Wasser.
- iii. Lassen Sie die Teile gründlich an der Luft trocknen, bevor Sie sie wieder zusammenbauen.

F Bleichen

- i. Weichen Sie die vier Teile in einer Bleichmittel-Wasser-Lösung im Verhältnis von 1:50 (ca. 1 Esslöffel Bleichmittel in 3¼ Tassen Wasser) 3 Minuten lang ein.

Hinweis: Sie können die Bleichmittellösung durch ein Desinfektionsmittel für Beatmungsgeräte (wie etwa Milton[†], Dodie[†], Control III[†] oder Cidex[†]) ersetzen. Befolgen Sie die Gebrauchsanweisung.

- ii. Spülen Sie die Teile gründlich mit sterilem Wasser.
- iii. Lassen Sie die Teile gründlich an der Luft trocknen, bevor Sie sie wieder zusammenbauen.

HINWEIS

Jeder schwerwiegende Vorfall im Zusammenhang mit dem Gerät muss dem Hersteller und zuständigen Behörde oder der MHRA gemeldet werden.

LAGERUNG

Nachdem das Gerät **Aerobika*** vollständig getrocknet und zusammengebaut ist, bewahren Sie das Gerät in einem sauberen Kunststoffbeutel oder -behälter auf.

RECYCLING

Das **Aerobika*** OPEP-System ist recycelbar. Das Recycling kann in Ihrem Land eingeschränkt sein oder die örtlichen Vorschriften lassen es nicht zu. Bitte beachten Sie die Recycling-Richtlinien Ihrer Region, um zu prüfen, ob das Recycling über die Müllabfuhr oder in einer Annahmestelle möglich ist. Reinigen Sie das System vor dem Recycling.

ENTSORGUNG

Das Gerät kann mit dem Hausmüll entsorgt werden, es sei denn, dies ist durch geltende Entsorgungsvorschriften untersagt.

ZUSÄTZLICHE INFORMATIONEN

- VERWENDUNG BEI EINEM PATIENTEN (sowohl für den Krankenhaus- als auch für den Heimgebrauch geeignet).

- Das Produkt sollte nach 12-monatigem Gebrauch oder bei Beschädigung sofort durch ein neues ersetzt werden.
- Dieses Produkt wurde nicht mit Latex gefertigt (oder hergestellt). Das Mundstück besteht aus Polypropylen.
- Das oszillierende PEP-Gerät **Aerobika*** in einer trockenen, staubfreien Umgebung und nicht unter ständiger Sonneneinstrahlung lagern.
- Das ungefähre Gerätegewicht beträgt 80 g
- Die ungefähren Geräteabmessungen betragen L = 11,5 cm x B = 3,8 cm x H = 10,9 cm
- Das Produkt ist frei von Bisphenol A, Phthalaten und Latex.

| | |
|----------------------------|-------------------|
| Gebrauchstemperaturbereich | +15 °C bis +40 °C |
| Lagerungstemperaturbereich | -40 °C bis +60 °C |

[†] Aus den vorliegenden TMI-Daten

ES

USO PREVISTO

El dispositivo de presión espiratoria positiva oscilante **Aerobika*** está diseñado para utilizarlo como un dispositivo de presión espiratoria positiva (PEP). El dispositivo **Aerobika*** también se puede utilizar simultáneamente con un sistema de administración de medicamentos en aerosol nebulizados. El dispositivo está diseñado para que lo utilicen pacientes capaces de generar un flujo de exhalación de 10 l/min durante entre 3 y 4 segundos.

INDICACIONES

El dispositivo de PEP oscilante **Aerobika*** es un dispositivo de terapia de desobstrucción de las vías respiratorias que se utiliza para movilizar el exceso de secreciones pulmonares y mejorar la respiración. Se puede utilizar para tratar afecciones respiratorias tales como la enfermedad pulmonar obstructiva crónica (EPOC), la bronquiectasia y la fibrosis quística. Para uso exclusivo en un solo paciente.

CONTRAINDICACIONES

No se recomienda el uso del dispositivo para las siguientes afecciones:

- Pacientes que no pueden tolerar un esfuerzo respiratorio mayor
- Presión intracraneal (PI) superior a 20 mm Hg
- Inestabilidad hemodinámica (inestabilidad de la presión arterial)
- Cirugía o traumatismo facial, bucal o craneal recientes
- Sinusitis aguda
- Epistaxis (hemorragia nasal)

- Cirugía esofágica
- Náuseas
- Hemoptisis activa (hemorragia pulmonar)
- Neumotórax sin tratar (pulmón colapsado sin tratar)
- Ruptura conocida o presunta de la membrana timpánica, u otra afección del oído medio

⚠️ ADVERTENCIAS

El uso del dispositivo a presiones excesivas puede provocar efectos adversos. Las presiones espiratorias superiores a 20 cm H₂O en pacientes sensibles a presiones transpulmonares elevadas pueden provocar el desarrollo de uno o más de los efectos secundarios adversos que se indican a continuación. La selección de la configuración apropiada para cada paciente se debe realizar según el criterio clínico de un especialista. En el caso de que la configuración de resistencia seleccionada en el indicador de resistencia no sea la apropiada y no coincida con el flujo espiratorio del paciente, es posible que no se cumplan los objetivos terapéuticos de la terapia de PEP oscilatoria o que se produzcan uno o más efectos secundarios adversos de los que se indican a continuación.

Las posibles reacciones adversas incluyen las siguientes opciones:

- Aumento del esfuerzo respiratorio, lo cual puede provocar hiperventilación e hipercapnia
- Aumento de la presión craneal
- Afectación cardiovascular
 - Isquemia miocárdica
 - Disminución del retorno venoso
- Deglución de aire con mayor probabilidad de presentar vómitos y aspiraciones
- Claustrofobia
- Barotraumatismos pulmonares

INSTRUCCIONES DE USO

Asegúrese de leer estas instrucciones antes de utilizar el dispositivo y consérvelas en un lugar asequible en todo momento. Si tiene preguntas sobre el desempeño o el uso de este producto, comuníquese con su profesional de la salud antes de utilizarlo. Para conocer las descripciones del dispositivo, consulte la página 1, Figura 1.

⚠️ **Advertencia:** No deje el dispositivo al alcance de niños sin supervisión. Contiene piezas pequeñas que pueden causar asfixia.

CONFIGURACIÓN DEL DISPOSITIVO

Un profesional de la salud debe establecer la configuración de la resistencia del dispositivo **Aerobika**® mediante los siguientes pasos:

1 Comience con el indicador de resistencia en la configuración media (página 1, Figura 2).

2 Con el paciente sentado y cómodo, solicítele que inhale a través del dispositivo con una respiración

más profunda de lo normal, pero no a la capacidad total de los pulmones, y que, a continuación, exhale enérgicamente a través del dispositivo, pero sin hacer fuerza.

3 La configuración de la resistencia debe ser tal que la exhalación dure entre 3 y 4 veces más que la inhalación. La resistencia se puede aumentar moviendo el indicador hacia la izquierda. Para reducir la resistencia, mueva el indicador hacia la derecha.

Nota: La selección de la configuración de resistencia apropiada producirá la relación de flujo inspiratorio y flujo espiratorio deseada de 1:3 o 1:4, durante entre 10 y 20 minutos, sin provocar fatiga excesiva.

4 Se debe volver a evaluar a los pacientes de manera periódica o cada vez que presenten cualquier cambio en el estado de salud. A medida que las vías respiratorias se descongestionen, se necesitará más resistencia para mantener las relaciones de inspiración y espiración.

USO DEL DISPOSITIVO

El dispositivo se debe utilizar dos veces al día o según la indicación de su profesional de la salud. Si bien el dispositivo **Aerobika**® se puede utilizar independientemente de cómo esté orientado, se recomienda utilizarlo mientras se encuentra sentado y cómodo (página 2, Figura 4).

1 Examine cuidadosamente el dispositivo.

- Si hay polvo u otro tipo de residuos visibles en el interior, limpie el dispositivo. Sustitúyalo inmediatamente si está dañado o si le faltan piezas.
- Asegúrese de que el indicador de resistencia esté configurado según la indicación de su profesional de la salud.
- Junte suavemente las dos mitades y asegúrese de que las lengüetas de acoplamiento estén enganchadas.

2 Coloque la boquilla en la boca y cierre los labios alrededor de ella para garantizar que se selle de manera eficaz. Asegúrese de que su mano no bloquee la vía de exhalación en la parte posterior del dispositivo.

3 Inhale a través del dispositivo con una respiración más profunda de lo normal, pero sin llenar los pulmones por completo. Mantenga la respiración durante entre 2 y 3 segundos antes de exhalar.

4 Exhale de manera enérgica, pero sin forzar, a través del dispositivo. Idealmente, la exhalación debe durar entre 3 y 4 veces más que la inhalación. Mantenga las mejillas aplanadas y firmes para maximizar la efectividad de la terapia. Asegúrese de mantener un buen sellado en la boquilla durante toda la terapia.

Nota: Si no puede exhalar a través del dispositivo, compruebe la configuración de la resistencia o limpie el dispositivo de manera minuciosa.

5 Continúe realizando inhalaciones profundas y exhalaciones largas durante entre 10 y 20 respiraciones, o según la indicación de su profesional

de la salud. Después de realizar, al menos, 10 respiraciones, tosa de manera profunda entre 2 y 3 veces para despejar las vías respiratorias. Su profesional de la salud le indicará la técnica adecuada. Para una máxima eficacia, intente suprimir la tos hasta el final de la terapia.

6 Repita los pasos del 3 al 5 durante entre 10 y 20 minutos, o según la indicación de su profesional de la salud. El procedimiento completo se debe realizar, al menos, dos veces al día de manera periódica y se debe aumentar a entre 3 y 4 veces al día si produce una gran cantidad de mucosidad.

El objetivo es mantener los pulmones despejados y una capacidad ventilatoria alta. Continúe la terapia de manera periódica, incluso si la cantidad de mucosidad que produce es baja.

USO CON UN NEBULIZADOR

El dispositivo **Aerobika**® también se puede utilizar con un nebulizador de volumen reducido con un adaptador de 22 mm. Su profesional de la salud le aconsejará qué medicamento utilizar para las terapias combinadas.

Los medicamentos que despejan las vías respiratorias (p. ej., el albuterol) o que ayudan a disminuir la densidad de la mucosidad (p. ej., la solución salina hipertónica) son buenas opciones para combinar con el dispositivo **Aerobika**®, ya que ayudan a eliminar la mucosidad de sus pulmones o a disminuir su densidad.

⚠️ **Precaución:** Los medicamentos que permanecen en los pulmones, tales como los antibióticos, se deben administrar con el nebulizador solo después de completar la terapia con el dispositivo **Aerobika**®.

1 Asegúrese de leer y comprender las instrucciones proporcionadas con el nebulizador antes de utilizarlo. **2** Asegúrese de configurar correctamente el nebulizador y de agregar el medicamento al recipiente del nebulizador. Retire la boquilla (o la máscara) del nebulizador.

3 Conecte el nebulizador en el puerto para el nebulizador del dispositivo **Aerobika**®, como se muestra en la Figura 3 (página 1).

4 Encienda la fuente de aire comprimido y complete la terapia combinada con la técnica de respiración descrita anteriormente.

Notas:

- No se requiere el uso de un adaptador si se utiliza con la marca de nebulizadores accionados por la respiración **AEROECLIPSE**®.
- Asegúrese de que el nebulizador permanezca en posición vertical a fin de lograr una nebulización adecuada.
- Utilice siempre la boquilla del dispositivo **Aerobika**®; de lo contrario, el dispositivo no funcionará correctamente (página 1, Figura 3).
- Si se utiliza junto con un nebulizador, el dispositivo **Aerobika**® se debe limpiar después de cada uso

a fin de eliminar cualquier residuo que se pueda haber depositado durante la exhalación.

INSTRUCCIONES DE LIMPIEZA Y DESINFECCIÓN

Los profesionales de la salud deben utilizar siempre su juicio clínico para seleccionar el método y la frecuencia adecuados de limpieza y desinfección en función de las necesidades del paciente.

Si es necesario, limpie el dispositivo **Aerobika**® una vez al día.

Nota: La limpieza adecuada y periódica del dispositivo es importante para que funcione correctamente.

1 DESMONTAJE

- Presione las lengüetas de acoplamiento que se encuentran en cada costado del dispositivo. Mientras sostiene las lengüetas hacia dentro, tire suavemente hacia arriba la carcasa superior hasta que ambas partes se separen.
- Retire el cartucho de la válvula. No desarme ninguna pieza del cartucho.
- Para retirar la boquilla, sujete con firmeza y gire mientras tira del dispositivo.

2 LIMPIEZA

Limpie el dispositivo **Aerobika**® con uno de los dos siguientes métodos.

A Agua y jabón

i. Lave las cuatro piezas en una solución de agua del grifo y detergente líquido para vajilla. Deje remojar las piezas durante 15 minutos. Agite suavemente varias veces.

ii. Enjuague las piezas con agua del grifo.

iii. Sacuda las piezas para eliminar el exceso de agua.

Nota: El agua del grifo puede contener una alta cantidad de minerales, lo que puede provocar la acumulación de sarro en el dispositivo. Si el suministro local de agua del grifo es alto en minerales, remoje el dispositivo desarmado todos los meses en una solución de 1 taza de vinagre y 1 taza de agua durante 1 hora. A continuación, lave el dispositivo como de costumbre.

B Lavavajillas

i. Fije las cuatro piezas en una cesta en la rejilla superior.

ii. Lave en un ciclo de lavado normal con detergente para lavavajillas y, si es posible, un abrillantador.

iii. Sacuda las piezas para eliminar el exceso de agua.

Nota: No se recomienda lavar en lavavajillas junto con platos demasiado sucios.

3 MONTAJE

i. Asegúrese de que las piezas se sequen por completo al aire.

ii. Inserire il cartucho de la válvula en la carcasa inferior. Si no se desliza fácilmente en su lugar, gire el cartucho en 180° e inténtelo de nuevo.

iii. Conecte las carcasas superior e inferior hasta que las dos lengüetas de acoplamiento hagan "clic" (esto puede ocurrir de manera simultánea). Asegúrese de que las lengüetas estén enganchadas presionando firmemente las dos mitades para unir las.

iv. Vuelva a colocar la boquilla.

4 DESINFECCIÓN

Si se considera clínicamente necesario para el paciente, los profesionales de la salud pueden indicarle al paciente que limpie y desinfecte el dispositivo siguiendo métodos y frecuencias específicos (después de cada uso).

Antes de la desinfección, siga las instrucciones de desmontaje y limpieza, pero no vuelva a armar el dispositivo.

Desinfecte el dispositivo **Aerobika*** con cualquiera de los siguientes métodos.

A Equipo de desinfección electrónico mediante vapor

i. Coloque las cuatro piezas en un esterilizador a vapor eléctrico y siga las instrucciones de uso del fabricante.

ii. Retire las piezas de la unidad y deje que las piezas se sequen al aire por completo antes de volver a armar el dispositivo.

B Hervido

i. Coloque las cuatro piezas en una olla con agua hirviendo e hierva durante 5 minutos.

Nota: Coloque una pequeña rejilla en la parte inferior de la olla para evitar que las piezas de plástico entren en contacto con la parte inferior de la olla caliente.

ii. Retire las piezas de la olla sin tocar el agua y deje que las piezas se sequen por completo antes de volver a armar el dispositivo.

C Bolsa de vapor para microondas

i. Coloque las cuatro piezas en una bolsa de vapor para microondas (es decir, bolsas Quick-Clean[†] MicroSteam[†]) y siga las instrucciones de uso del fabricante.

Nota: Coloque las piezas en la bolsa como se muestra en la Figura 1 (página 2).

ii. Retire de la bolsa y deje que las piezas se sequen por completo antes de volver a armar el dispositivo.

D Alcohol isopropílico

i. Remoje las cuatro piezas en alcohol isopropílico al 70 % durante 5 minutos.

ii. Enjuague bien con agua estéril.

iii. Deje secar por completo al aire antes de volver a armar el dispositivo.

E Peróxido de hidrógeno

i. Remoje las cuatro piezas en peróxido de hidrógeno al 3 % durante 30 minutos.

ii. Enjuague bien con agua estéril.

iii. Deje secar por completo al aire antes de volver a armar el dispositivo.

F Lejía

i. Remoje las cuatro piezas en una solución de lejía y agua en una proporción de 1:50 (aproximadamente 1 cucharada de lejía en 3/4 tazas de agua) durante 3 minutos.

Nota: Puede sustituir la solución de lejía con un desinfectante para equipos respiratorios (tales como Milton[†], Dodiet[†], Control III[†] o Cidex[†]). Siga las instrucciones de uso del desinfectante.

ii. Enjuague bien con agua estéril.

iii. Deje secar por completo al aire antes de volver a armar el dispositivo.

NOTA

Cualquier incidente grave que haya ocurrido en relación con el dispositivo debe comunicarse al fabricante y a la autoridad competente del Estado miembro o a la MHRA.

ALMACENAMIENTO

Una vez que el dispositivo **Aerobika*** esté completamente seco y armado, almacénalo en una bolsa o contenedor de plástico limpio.

RECICLAJE

El dispositivo OPEP **Aerobika*** es reciclable. Puede que el reciclaje esté limitado en su jurisdicción o que las normativas locales no lo permitan. Consulte las normas de reciclaje de su comunidad para averiguar si dispone de servicio de recogida residencial de material de reciclaje o de servicio de reciclado en una instalación de reciclaje. Limpie el dispositivo antes de reciclarlo.

ELIMINACIÓN

El dispositivo se puede desechar con los residuos domésticos, a menos que esté prohibido por las normativas de eliminación de residuos vigentes en los respectivos países miembros.

INFORMACIÓN ADICIONAL

| | |
|--------------------------------|----------------------|
| El rango de temperatura de uso | entre 15 °C y 40 °C. |
|--------------------------------|----------------------|

| | |
|---|-----------------------|
| El rango de temperatura de almacenamiento | entre -40 °C y 60 °C. |
|---|-----------------------|

• El producto no contiene bisfenol A, ftalatos, látex, plomo o PVC.

IT

USO PREVISTO

Il dispositivo a pressione espiratoria positiva oscillante **Aerobika*** è previsto per l'uso come dispositivo a pressione espiratoria positiva (Positive Expiratory Pressure, PEP). Il dispositivo **Aerobika*** può anche essere usato simultaneamente con dispositivi di erogazione di farmaci aerosol nebulizzati. Il

dispositivo è previsto per l'uso da parte di pazienti in grado di generare un flusso espiratorio di 10 L/min per 3-4 secondi.

INDICAZIONI D'USO:

Il dispositivo PEP oscillante **Aerobika*** è un dispositivo terapeutico per la liberazione delle vie respiratorie, utilizzato per mobilizzare le secrezioni polmonari in eccesso e migliorare la respirazione. Può essere utilizzato per gestire patologie respiratorie come BPCO, bronchiectasia e fibrosi cistica.

Uso monopaziente.

CONTROINDICAZIONI

L'uso del dispositivo non è consigliato in presenza delle condizioni seguenti:

- pazienti che non sono in grado di tollerare uno sforzo respiratorio supplementare
- pressione intracranica (ICP) > 20 mmHg
- instabilità emodinamica (pressione sanguigna instabile)
- recente intervento chirurgico o trauma facciale, orale o cranico
- sinusite acuta
- epistassi (sanguinamento dal naso)
- intervento chirurgico all'esofago
- nausea
- emottisi attiva (sanguinamento dai polmoni)
- pneumotorace non trattato (polmone collassato non trattato)
- rottura accertata o sospetta della membrana timpanica o altra patologia dell'orecchio medio

⚠ AVVERTENZE

L'uso di questo dispositivo a pressioni eccessive può avere effetti negativi. Pressioni espiratorie superiori a 20 cm H₂O nei pazienti sensibili all'aumento della pressione transpolmonare possono causare uno o più degli effetti collaterali negativi elencati di seguito. Nel selezionare l'impostazione appropriata per ogni singolo paziente, basarsi su un giudizio clinico esperto. La mancata corrispondenza tra il valore di resistenza appropriato impostato sull'indicatore di regolazione e il flusso espiratorio del paziente può causare il mancato raggiungimento degli obiettivi terapeutici della terapia PEP oscillante o uno o più degli effetti collaterali avversi elencati di seguito.

Le reazioni avverse potrebbero includere

- aumento dello sforzo respiratorio, che può portare a ipoventilazione e ipercapnia
- aumento della pressione cranica
- compromissione cardiovascolare
 - ischemia miocardica
 - diminuzione del ritorno venoso
- ingestione di aria con rischio aumentato di vomito e aspirazione
- claustrofobia
- barotrauma polmonare

ISTRUZIONI PER L'USO

Prima dell'uso, assicurarsi di avere letto queste istruzioni e di averle sempre a portata di mano. In caso di domande sulle prestazioni o sull'uso di questo prodotto, contattare il proprio medico curante prima dell'uso. Per le descrizioni del dispositivo, vedere la pagina 1, Figura 1.

⚠ **Avvertenza:** non lasciare il dispositivo incustodito in presenza di bambini. Contiene parti piccole che possono causare soffocamento.

CONFIGURAZIONE DEL DISPOSITIVO

L'impostazione della resistenza del dispositivo **Aerobika*** deve essere configurata da un medico attenendosi alla seguente procedura:

1 Iniziare con l'indicatore della resistenza nell'impostazione intermedia (pagina 1, Figura 2).

2 Con il paziente seduto in posizione comoda, chiedergli di inspirare attraverso il dispositivo con un respiro più profondo del normale, ma non fino alla capacità polmonare totale, quindi di espirare vigorosamente, ma senza forzare, attraverso il dispositivo.

3 Impostare la resistenza in modo che l'espirazione duri 3-4 volte più a lungo dell'inspirazione. Per aumentare la resistenza, spostare l'indicatore verso il sinistra. Per ridurre la resistenza, spostare l'indicatore verso il destra.

Nota: la selezione dell'impostazione corretta della resistenza produrrà il rapporto desiderato di 1:3 o 1:4 tra il flusso inspiratorio e quello espiratorio per 10-20 minuti senza affaticamento eccessivo.

4 Riesaminare i pazienti periodicamente e a ogni alterazione del loro stato. Con la diminuzione della congestione delle vie respiratorie, per mantenere il rapporto desiderato tra flusso inspiratorio ed espiratorio sarà necessaria una maggiore resistenza.

TECNICA PER L'USO DEL DISPOSITIVO

I trattamenti devono essere eseguiti due volte al giorno o secondo le indicazioni del proprio medico. Sebbene il dispositivo **Aerobika*** non sia influenzato dall'orientamento del paziente, si consiglia di effettuare il trattamento da seduti in posizione comoda. (pagina 2, Figura 4)

1 Esaminare attentamente il dispositivo.

• Pulire il dispositivo se sono presenti polvere o altri residui visibili. Sostituirlo immediatamente in caso di danni o parti mancanti.

• Assicurarsi che l'indicatore della resistenza sia posizionato come prescritto dal medico.

• Premere delicatamente le due metà una contro l'altra per accertarsi che le linguette di fissaggio siano innestate.

2 Mettere in bocca il bocchaglio e chiudere la labbra per garantire una tenuta efficace. Assicurarsi di non bloccare con la mano il percorso espiratorio sul retro del dispositivo.

3 Inspirare attraverso il dispositivo con un respiro più profondo del normale, senza però riempire completamente i polmoni. Trattenere il respiro per 2-3 secondi prima di espirare.

4 Espirare attivamente, senza però forzare, attraverso il dispositivo. Idealmente, l'espirazione dovrebbe durare 3-4 volte più a lungo dell'inspirazione. Per massimizzare l'efficacia del trattamento, mantenere le guance piatte e ferme. Assicurarsi di mantenere una buona tenuta sul boccaglio per tutta la durata del trattamento.

Nota: se non è possibile espirare attraverso il dispositivo, controllare l'impostazione della resistenza o provare a pulire accuratamente il dispositivo.

5 Continuare a inspirare profondamente ed espirare a lungo per 10-20 atti respiratori o secondo quanto indicato dal proprio medico. Dopo almeno 10 atti respiratori, dare 2-3 colpietti di tosse per liberare le vie respiratorie. Il medico curante spiegherà la tecnica corretta. Per ottenere la massima efficacia, cercare di trattenere la tosse fino alla fine del trattamento.

6 Ripetere i passaggi da 3 a 5 per 10-20 minuti o secondo quanto prescritto dal proprio medico. L'intera procedura deve essere eseguita con regolarità almeno due volte al giorno, e aumentata fino a 3-4 volte al giorno se si produce molto muco.

L'obiettivo è mantenere i polmoni liberi e una elevata capacità ventilatoria. Continuare regolarmente con i trattamenti anche se si produce pochissimo muco.

UTILIZZO CON IL NEBULIZZATORE

Il dispositivo **Aerobika*** può essere usato anche con un nebulizzatore a volume ridotto con un raccordo da 22 mm. Il medico curante indicherà quali farmaci usare per i trattamenti combinati.

I farmaci che liberano le vie respiratorie (es. l'albuterolo) o contribuiscono a fluidificare il muco (es. la soluzione fisiologica ipertonica) sono ottime opzioni da usare con il dispositivo **Aerobika***, in quanto contribuiscono a rimuovere o fluidificare il muco nei polmoni.

⚠ **Attenzione:** i farmaci che devono rimanere nei polmoni, come gli antibiotici, devono essere assunti con il solo nebulizzatore dopo avere completato il trattamento con il dispositivo **Aerobika***.

1 Prima di iniziare il trattamento, accertarsi di avere letto e compreso le istruzioni fornite con il nebulizzatore.

2 Accertarsi che il nebulizzatore sia stato predisposto correttamente e che il farmaco sia stato aggiunto nella vaschetta del nebulizzatore. Staccare il boccaglio (o la mascherina) dal nebulizzatore.

3 Fissare il nebulizzatore al raccordo per nebulizzatore del dispositivo **Aerobika***, come mostrato nella Figura 3 (pagina 1).

4 Accendere la fonte di aria compressa e completare il trattamento combinato utilizzando la tecnica di respirazione spiegata in precedenza.

Note:

- l'adattatore non è necessario se il dispositivo viene usato con i nebulizzatori attivati dagli atti respiratori del marchio **AEROECLIPSE***.
- assicurarsi che il nebulizzatore rimanga in posizione verticale per una corretta nebulizzazione.
- assicurarsi sempre di utilizzare il boccaglio del dispositivo **Aerobika***, altrimenti il dispositivo non funzionerà correttamente (pagina 1, Figura 3).
- se utilizzato insieme a un nebulizzatore, il dispositivo **Aerobika*** deve essere pulito dopo ciascun uso per rimuovere eventuali residui che potrebbero essersi depositati durante l'espirazione.

ISTRUZIONI PER LA PULIZIA E DISINFEZIONE

Gli operatori sanitari dovranno usare sempre il loro giudizio clinico per selezionare i metodi adatti di pulizia e disinfezione e la loro frequenza, in base alle esigenze del paziente.

Se necessario, pulire il dispositivo **Aerobika*** una volta al giorno.

Nota: una pulizia corretta e regolare del dispositivo è importante affinché funzioni correttamente.

1 SMONTAGGIO

i. Premere le linguette di fissaggio su entrambi i lati del dispositivo. Mantenendo premute le linguette, tirare delicatamente verso l'alto l'involucro superiore fino a separare le due parti.

ii. Rimuovere la cartuccia della valvola. Non smontare le parti della cartuccia.

iii. Per rimuovere il boccaglio, afferrarlo saldamente e ruotarlo, staccandolo nel contempo dal dispositivo.

2 PULIZIA

Pulire il dispositivo **Aerobika*** utilizzando uno dei due metodi seguenti.

A Acqua e Sapone

i. Lavare le quattro parti in una soluzione di acqua di rubinetto e detersivo liquido per piatti, lasciando a bagno le parti per 15 minuti. Agitare delicatamente diverse volte.

ii. Sciacquare con acqua di rubinetto.

iii. Scuotere le parti per rimuovere l'acqua in eccesso.

Nota: L'acqua del rubinetto può avere un elevato contenuto di minerali che può causare un accumulo di calcare nel dispositivo. Se l'acqua di rubinetto locale ha un contenuto di minerali elevato, immergere ogni mese il dispositivo smontato in una soluzione di 1 tazza di aceto e 1 tazza di acqua per 1 ora, poi lavare normalmente.

B Lavastoviglie

i. Fissare le quattro parti in un contenitore posto sul cestello superiore.

ii. Lavare adoperando un ciclo di lavaggio normale, detersivo per lavastoviglie e brillantante, se disponibile.

iii. Scuotere le parti per rimuovere l'acqua in eccesso.

Nota: non è consigliabile lavare in lavastoviglie insieme a stoviglie eccessivamente sporche.

3 RIASSEMBLAGGIO

i. Assicurarsi che le parti si siano asciugate accuratamente all'aria.

ii. Inserire la cartuccia della valvola nell'involucro inferiore. Se non scivola facilmente in posizione, ruotarla di 180° e riprovare.

iii. Collegare l'involucro superiore a quello inferiore fino a udire lo scatto delle linguette di fissaggio (le linguette potrebbero scattare in posizione simultaneamente). Assicurarsi che le linguette siano innestate premendo fermamente insieme le due metà.

iv. Ricollegare il boccaglio.

4 DISINFEZIONE

Se ritenuto clinicamente necessario per il paziente, il professionista sanitario può raccomandare al paziente di pulire e disinfettare il dispositivo con metodi e frequenze specifici (dopo ciascun utilizzo).

Prima della disinfezione, seguire le istruzioni di smontaggio e pulizia, ma non riassemble il dispositivo.

Disinfettare il dispositivo **Aerobika*** usando uno dei metodi seguenti.

A Apparecchio di disinfezione a vapore elettronico

i. Collocare le quattro parti in uno sterilizzatore elettronico a vapore e seguire le istruzioni per l'uso del produttore.

ii. Rimuovere dall'unità e lasciare asciugare completamente le parti all'aria prima di assemblarle nuovamente.

B Ebollizione

i. Collocare le quattro parti in un recipiente con acqua bollente e lasciarle bollire per 5 minuti.

Nota: appoggiare una piccola griglia sul fondo della pentola per evitare che le parti in plastica vengano a contatto con il fondo caldo.

ii. Togliere le parti dall'acqua senza toccare l'acqua e lasciarle asciugare completamente all'aria prima di riassemblearle.

C Sacchetto Termico a Vapore per Microonde

i. Collocare le quattro parti in un sacchetto termico a vapore per microonde (ad esempio un sacchetto Quick-Clean¹ MicroSteam¹) e seguire le istruzioni per l'uso fornite dal produttore.

Nota: disporre le parti nel sacchetto come mostrato nella Figura 3 (pagina 2).

ii. Rimuovere dal sacchetto e lasciare asciugare completamente le parti all'aria prima di assemblarle nuovamente.

D Alcol Isopropilico

i. Immergere le quattro parti in alcool isopropilico al 70% per 5 minuti.

ii. Risciacquare accuratamente con acqua sterile.

iii. Lasciare asciugare completamente le parti all'aria prima di assemblarle nuovamente.

E Acqua Ossigenata

i. Immergere le quattro parti in acqua ossigenata al 3% per 30 minuti.

ii. Risciacquare accuratamente con acqua sterile.

iii. Lasciare asciugare completamente le parti all'aria prima di assemblarle nuovamente.

F Candeggina

i. Immergere le quattro parti in una soluzione 1:50 di candeggina e acqua (circa 1 cucchiaino di candeggina in 3/4 tazze d'acqua) per 3 minuti.

Nota: è possibile utilizzare come sostituto alla soluzione con candeggina un disinfettante per apparecchiature respiratorie (come Milton¹, Dodie¹, Control III¹ o Cidex¹). Seguire le istruzioni per l'uso del disinfettante.

ii. Risciacquare accuratamente con acqua sterile.

iii. Lasciare asciugare completamente le parti all'aria prima di assemblarle nuovamente.


NOTA

Eventuali incidenti gravi verificatisi con l'uso del dispositivo devono essere segnalati al produttore e all'autorità competente dello Stato Membro o all'MHRA, a seconda dei casi.

CONSERVAZIONE

Una volta che il dispositivo **Aerobika*** è completamente asciutto e assemblato, conservarlo in un sacchetto di plastica pulito o in un contenitore.

RICICLAGGIO

 Il dispositivo OPEP **Aerobika*** è riciclabile. Il riciclaggio potrebbe essere limitato nella propria giurisdizione oppure le normative locali potrebbero non consentirlo. Consultare le linee guida per il riciclaggio della propria comunità per verificare la disponibilità della raccolta differenziata o del riciclaggio presso una struttura di raccolta. Pulire il dispositivo prima di riciclarlo.

SMALTIMENTO

Il dispositivo può essere smaltito con i rifiuti domestici, a meno che ciò non sia vietato dalle normative in materia di smaltimento vigenti nel proprio Paese.

ULTERIORI INFORMAZIONI

| | |
|--|--------------------|
| Intervallo di temperatura di utilizzo | Da +15 °C a +40 °C |
| Intervallo di temperatura di conservazione | Da -40 °C a +60 °C |

• Il prodotto è privo di bisfenolo A, ftalati e lattice.

MD

EN Medical device
FR Dispositif médical
DE Medizinprodukt
ES Dispositivo médico
IT Dispositivo medico

P/N

EN Part number
FR Numéro de pièce
DE Teilenummer
ES Número de pieza
IT Numero di parte

Qty

EN Quantity
FR Quantité
DE Menge
ES Cantidad
IT Quantità

UDI

EN Unique device identifier
FR Identifiant unique des dispositifs
DE Eindeutige Geräte-ID
ES Identificador de dispositivo único
IT Identificatore univoco del dispositivo



EN Importer
FR Importateur
DE Importeur
ES Importador
IT Importatore



EN For optimum performance replace after 12 months
FR Pour un rendement optimal, remplacez le produit après 12 mois
DE Für optimale Leistung nach 12 Monaten austauschen
ES Para obtener un rendimiento óptimo, sustituir después de 12 meses
IT Per prestazioni ottimali, sostituire dopo 12 mesi



EN Single patient – multiple use
FR Usage multiple pour un patient unique
DE Für mehrfache Verwendung an nur einem Patienten
ES Solo un paciente, uso múltiple
IT Più utilizzi su un singolo paziente



EN Product is free of Bisphenol A
FR Produit sans bisphénol A
DE Das Produkt ist frei von Bisphenol A
ES El producto no contiene bisfenol A
IT Il prodotto è privo di bisfenolo A



EN Designed and developed in Canada
FR Conçu et mis au point au Canada
DE Entwickelt in Kanada
ES Diseñado y producido en Canadá
IT Progettato e sviluppato in Canada

Oscillating Positive Expiratory Pressure Device

EN Oscillating Positive Expiratory Pressure Device
FR Dispositif de pression expiratoire positive par oscillations
DE System mit oszillierendem, positivem Expirationsdruck
ES Dispositivo de presión espiratoria positiva oscilante
IT Dispositivo a pressione espiratoria positiva oscillante

Airway Clearance Device

EN Airway Clearance Device
FR Dispositif de dégagement des voies respiratoires
DE System zur Befreiung der Atemwege
ES Dispositivo de desobstrucción de las vías respiratorias
IT Dispositivo per liberare le vie respiratorie



TRUDELL MEDICAL
INTERNATIONAL



Trudell Medical International
 725 Baransway Drive, London, Ontario, Canada, N5V 5G4
 info@trudellmed.com www.trudellmed.com

UK Responsible Person: Trudell Medical UK Limited
 Grove House, Lutyens Close, Chineham Court,
 Basingstoke UK RG24 8AG



Emergo Europe
 Westervoortsedijk 60, 6827 AT Arnhem, The Netherlands

Australian Sponsor: Emergo Australia
 Level 20 Tower II, Darling Park, 201 Sussex Street,
 Sydney, NSW 2000 Australia

REF 110501

UK
CA

