



Dispositif de pression expiratoire
positive par oscillations **Aerobika***
avec accessoire de manomètre

Aerobika*

Oscillating Positive
Expiratory Pressure Device
with Manometer Accessory



**TRUDELL MEDICAL
INTERNATIONAL**



Manufactured by / Fabriqué par

Trudell Medical International

725 Baransway Drive
London, Ontario, Canada N5V 5G4
info@trudellmed.com www.trudellmed.com

REF 110501

REF 110502

P/N

Part number /
Numéro de pièce

Qty

Quantity /
Quantité

UDI

Unique device identifier /
Identifiant unique des dispositifs



Single patient – multiple use /
Usage multiple pour un patient unique



Designed and developed in Canada /
Conçu et mis au point au Canada



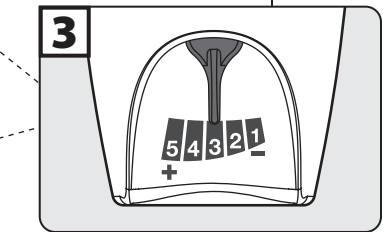
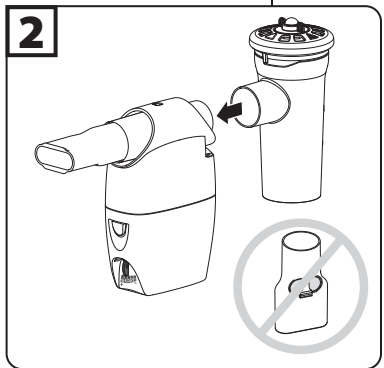
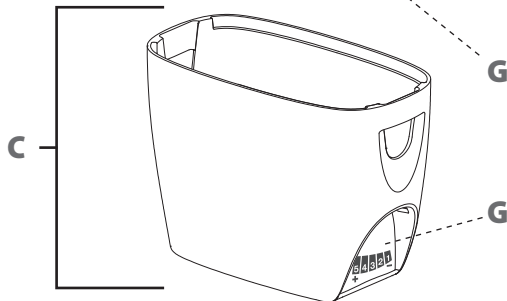
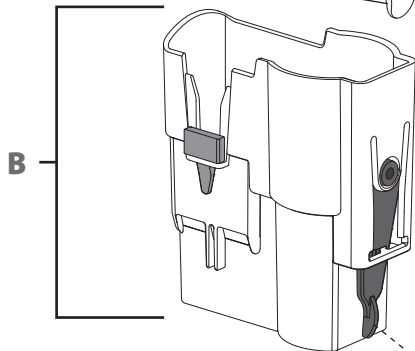
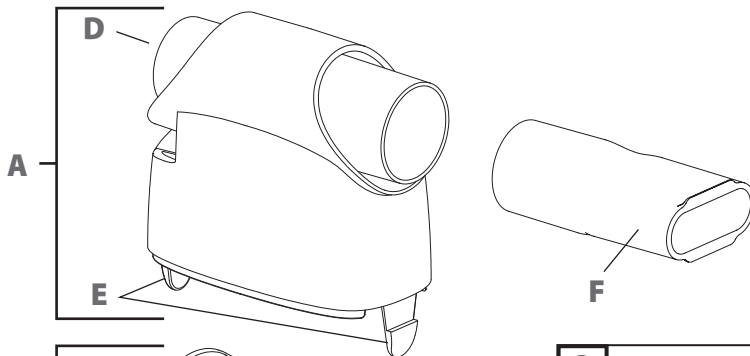
Product is free of Bisphenol A /
Produit sans bisphénol A



For optimum performance replace after 12 months /
Pour un rendement optimal, remplacez le produit après 12 mois

Oscillating Positive Expiratory Pressure
Device with Manometer Accessory

Oscillating Positive Expiratory Pressure Device with Manometer Accessory. /
Dispositif de pression expiratoire positive par oscillations avec accessoire de manomètre.

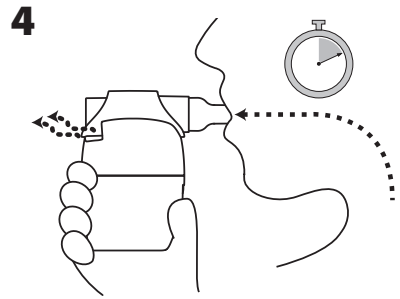
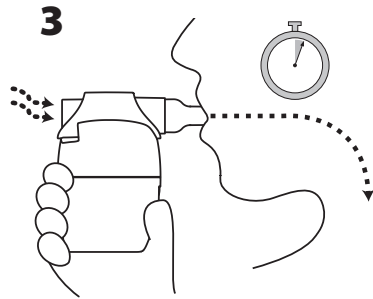
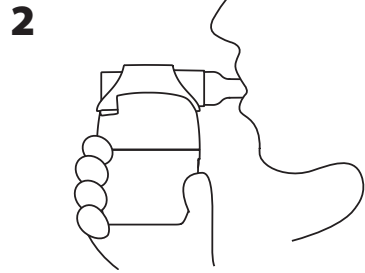
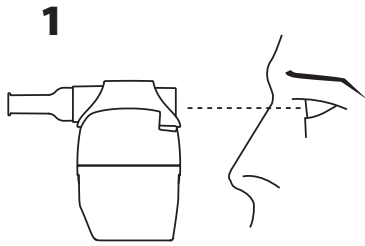
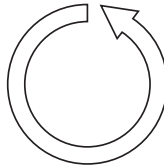
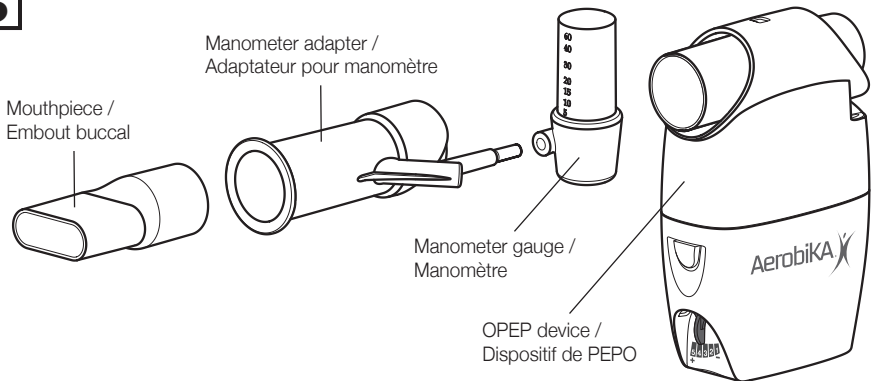
1**EN**

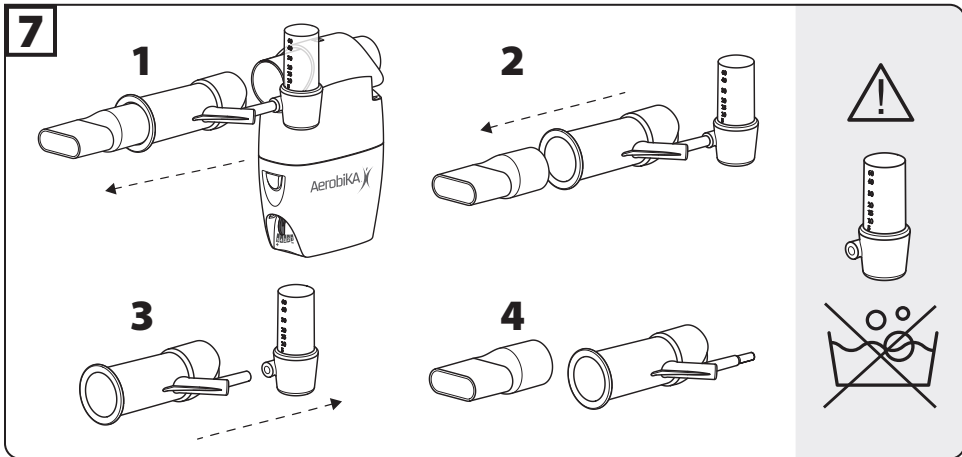
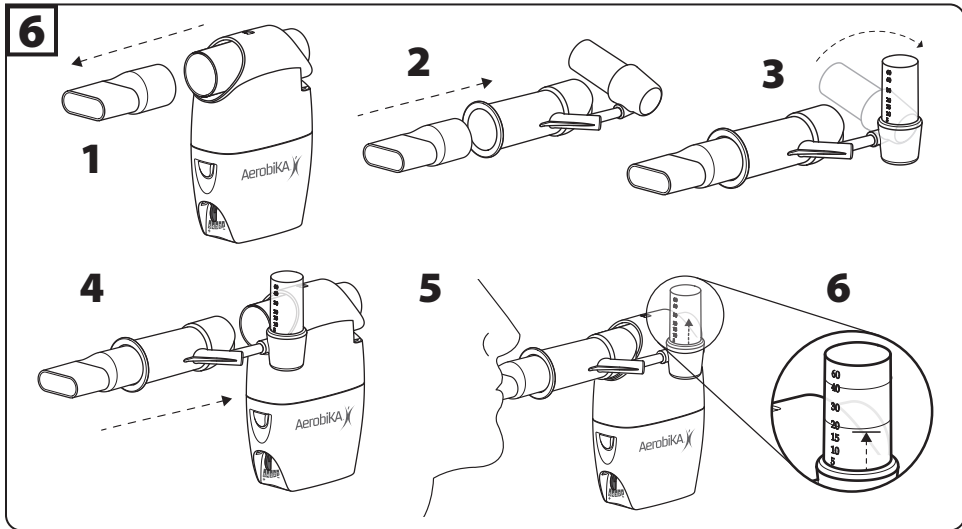
- A Top Case
- B Valve Cartridge
- C Bottom Case
- D Nebulizer Port
- E Attachment Tabs
- F Mouthpiece
- G Resistance Indicator

FR

- A Boîtier supérieur
- B Cartouche à soupape
- C Boîtier inférieur
- D Raccord du nébuliseur
- E Pattes de fixation
- F Embout buccal
- G Indicateur de résistance



4**5-6****5**



EN

Aerobika* Device

INTENDED USE

The **Aerobika*** Oscillating Positive Expiratory Pressure device is intended for use as a Positive Expiratory Pressure (PEP) device. The **Aerobika*** device may also be used simultaneously with nebulized aerosol drug delivery. The device is intended to be used by patients capable of generating exhalation flow of 10 L/min for 3–4 seconds.

INDICATION(S)

The **Aerobika*** Oscillating PEP device is an airway clearance therapy device used to mobilize excess lung secretions and improve breathing. It can be used to manage respiratory conditions such as COPD, Bronchiectasis and Cystic Fibrosis. Single patient use only.

CONTRAINDICATIONS

Use of the device is not recommended for the following conditions:

- Patients unable to tolerate the increased work of breathing
- Intracranial pressure (ICP) > 20 mm Hg

- Hemodynamic instability (blood pressure instability)
- Recent facial, oral, or skull surgery or trauma
- Acute sinusitis
- Epistaxis (bleeding nose)
- Esophageal surgery
- Nausea
- Active hemoptysis (bleeding from lungs)
- Untreated pneumothorax (untreated collapsed lung)
- Known or suspected tympanic membrane rupture or other middle ear pathology

⚠ WARNINGS

Use of the device at excessive pressures may have adverse effects. Expiratory pressures above 20 cm H₂O in patients sensitive to increased transpulmonary pressure may develop one or more of the adverse side effects listed below. Expert clinical judgment should be exercised in the selection of the appropriate setting for each individual patient. Failure to match the appropriate resistance setting on the Resistance Indicator with the patient's expiratory flow may result in failure to achieve therapeutic objectives of oscillatory PEP therapy or one or more adverse side effects listed below.

Adverse reactions may include:

- Increased work of breathing that may lead to hypoventilation and hypercarbia
- Increased cranial pressure
- Cardiovascular compromise
 - Myocardial ischemia
 - Decreased venous return
- Air swallowing with increased likelihood of vomiting and aspiration
- Claustrophobia
- Pulmonary barotraumas

USE INSTRUCTIONS

Before use, ensure these instructions have been read and are kept available at all times. If you have questions about the performance or use of this product, please contact your healthcare professional prior to use. For device descriptions see page 1, figure 1.

⚠ Warning: Do not leave the device unattended with children. Contains small parts that can cause choking.

DEVICE SET UP

The **Aerobika**[®] device resistance setting should be set up by a healthcare professional using the following steps:

1 Start with the Resistance Indicator at the middle setting. (page 1, figure 3)

2 With the patient in a comfortable seated position, have them inhale through the device taking a deeper breath than normal, but not to total lung capacity, then exhale actively but not forcefully through the device.

3 Resistance should be set so exhalation lasts for 3–4 times longer than inhalation. Resistance can be increased by moving the indicator to the left. To reduce resistance, move the indicator to the right.

Note: Selection of the proper resistance setting will produce the desired inspiratory:expiratory flow ratio of 1:3 or 1:4 for 10–20 minutes without excess fatigue.

4 Patients should be reevaluated periodically or with any change in status. As airways become less congested, more resistance will be needed to maintain inspiratory:expiratory ratios.

DEVICE USE

Treatments should be conducted twice daily or as directed by your healthcare professional. Although the **Aerobika**[®] device is orientation independent, it is recommended that treatments be done in a comfortably seated position. (page 2, figure 4)

1 Carefully examine the device.

- If there is any visible dust or other debris inside, then clean the device. Replace immediately if it is damaged or has missing parts.
- Ensure the Resistance Indicator is set as prescribed by your healthcare professional.
- Gently press the two halves together to make sure the Attachment Tabs are engaged.

2 Put the mouthpiece in mouth and close lips around it to ensure an effective seal. Make sure your hand does not block the exhalation path on the back of the device.

3 Inhale through the device taking a deeper breath than normal, but do not totally fill your lungs. Hold your breath for 2–3 seconds before exhaling.

4 Exhale actively, but not forcefully, through the device. Ideally, exhalation should last 3–4 times longer than inhalation. Keep your cheeks flat and firm to maximize treatment effectiveness. Ensure you maintain a good seal on the mouthpiece for the duration of the treatment.

Note: If you are unable to exhale through the device, check the resistance setting or try cleaning the device thoroughly.

5 Continue taking deep breaths and long exhalations for 10–20 breaths, or as instructed by your healthcare professional. After at least 10 breaths, perform 2–3 'huff' coughs to clear your airways. Your healthcare professional will instruct you on the proper technique. For maximum efficacy, try to suppress coughing until the end of the treatment.

6 Repeat steps 3–5 for 10–20 minutes or as prescribed by your healthcare professional. The entire procedure should be performed at least twice a day on a regular basis, and increased to 3–4 times per day if you are producing a lot of mucus.

The goal is to keep your lungs clear and ventilatory capacity up. Continue with treatments on a regular basis even if you are bringing up just a little mucus.

USE WITH A NEBULIZER

The **Aerobika**[®] device may also be used with a small volume nebulizer with a 22 mm fitting. Your healthcare professional will advise which medication to use for combined treatments.

Medications which open the airways (eg. albuterol) or help to thin mucus (eg. hypertonic saline) would be good choices to use with the **Aerobika**[®] device because they help to remove or thin the mucus in your lungs.

⚠ **Caution:** Medications to stay in the lungs, like antibiotics, should be taken with the nebulizer alone after completing a treatment with the **Aerobika**[®] device.

1 Ensure you have read and understood the instructions provided with the nebulizer prior to starting the treatment.

2 Ensure the nebulizer is set-up correctly and medication has been added to the nebulizer cup. Remove the mouthpiece (or mask) from the nebulizer.

3 Attach the nebulizer to the Nebulizer Port of the **Aerobika**[®] device, as shown in figure 2 (page 1).

4 Switch on the compressed air source, and complete the combined treatment using the breathing technique outlined above.

Notes:

- No adapter is required if used with the **AEROECLIPSE**[®] brand of breath actuated nebulizers.
- Ensure the nebulizer remains upright for proper nebulization.
- Always ensure the **Aerobika**[®] device mouthpiece is used, otherwise the device will not work properly. (page 1, figure 2)
- If used in combination with a nebulizer, the **Aerobika**[®] device should be cleaned after each use to remove any residue that may have deposited on exhalation.

CLEANING AND DISINFECTING INSTRUCTIONS

Healthcare professionals should always use clinical judgment to select the appropriate cleaning and disinfecting method and frequency, based on patient needs.

If necessary, clean the **Aerobika**[®] device once daily.

Note: Proper and regular cleaning of the device is important for it to work correctly.

1 DISASSEMBLY

- i. Press the Attachment Tabs on either side of the device. Holding the tabs in, gently pull up on the top case until the two parts separate.
- ii. Remove the valve cartridge. Do not disassemble any part of the cartridge.
- iii. To remove the mouthpiece, grip firmly and rotate while pulling away from the device.

2 CLEANING

Clean the **Aerobika**[®] device using one of the two following methods.

A Soap and Water

i. Wash the four parts in a solution of tap water and liquid dish detergent, allowing the parts to soak for 15 minutes. Agitate gently several times.

ii. Rinse with tap water.

iii. Shake the parts to remove any excess water.

Note: Tap water can be high in minerals which may result in scale build-up in the device. If the local tap water supply is high in minerals, then every month soak the disassembled device in a solution of 1 cup vinegar and 1 cup water for 1 hour followed by a wash as normal.

B Dishwasher

i. Secure the four parts in a basket on the top rack.

ii. Wash in a normal wash cycle with dishwasher detergent and a rinse aid if available.

iii. Shake the parts to remove any excess water.

Note: Dishwashing with overly dirty dishes is not recommended.

3 REASSEMBLY

i. Ensure parts have air dried thoroughly.

ii. Insert the valve cartridge into the bottom case. If it does not slip easily into place, rotate 180° and try again.

iii. Connect the top and bottom cases until both Attachment Tabs “click” (this may occur simultaneously). Ensure the tabs are engaged by firmly pressing the two halves together.

iv. Reattach the mouthpiece.

4 DISINFECTION

If considered clinically necessary for the patient, healthcare professionals can instruct the patient to clean and disinfect the device following specific methods and frequencies (after each use).

Prior to disinfection, follow the disassembly and cleaning instructions but do not reassemble the device.

Disinfect the **Aerobika**[®] device using any one of the following methods.

A Electronic Steam Sterilizer

i. Place the four parts in an electronic steam sterilizer and follow the manufacturer's instructions for use.

ii. Remove from the unit and allow the parts to air dry thoroughly before reassembly.

B Boiling

i. Place the four parts in a pot with boiling water and boil for 5 minutes.

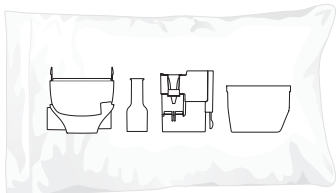
Note: Place a small rack on the bottom of the pot to prevent plastic parts from coming in contact with the hot bottom.

ii. Remove from the water without touching the water and allow parts to air dry thoroughly before reassembly.

C Microwave Steam Bag

i. Place the four parts in a microwave steam bag (i.e. Quick-Clean[†] MicroSteam[†] bag) and follow the manufacturer's instructions for use.

Note: Position parts in bag as shown:



ii. Remove from bag and allow parts to air dry thoroughly before reassembly.

D Isopropyl Alcohol

i. Soak the four parts in 70% isopropyl alcohol for 5 minutes.

ii. Rinse thoroughly with sterile water.

iii. Allow to air dry thoroughly before reassembly.

E Hydrogen Peroxide

i. Soak the four parts in 3% hydrogen peroxide for 30 minutes.

ii. Rinse thoroughly with sterile water.

iii. Allow to air dry thoroughly before reassembly.

F Bleach

i. Soak the four parts in a 1:50 bleach to water solution (approximately 1 tablespoon bleach in 3¼ cups water) for 3 minutes.

Note: You may substitute a respiratory equipment disinfectant (such as Milton[†], Dodie[†], Control III[†] or Cidex[†]) for the bleach solution. Follow the disinfectant instructions for use.

ii. Rinse thoroughly with sterile water.

iii. Allow to air dry thoroughly before reassembly.

ⓘ NOTE

Any serious incident that has occurred in relation to the device should be reported to the manufacturer and the competent authority of the Member State.

STORAGE

After the device is fully dry and assembled, store in a clean plastic bag or container.

DISPOSAL

The device can be disposed of with domestic waste unless this is prohibited by the disposal regulations prevailing in the respective member countries.

ADDITIONAL INFORMATION

Use Temperature Range	+15 °C to +40 °C
Storage Temperature Range	-40 °C to +60 °C

- Product is free of Bisphenol A, Phthalates, Latex, Lead and PVC.

INTENDED USE

The manometer is intended to be used as a single patient use accessory to the **Aerobika**[®] Oscillating Positive Expiratory Pressure (OPEP) device as an indicator for patient expiratory pressure.

CLINICAL BENEFIT

The clinical benefit to the patient is the ability to have a feedback while using the **Aerobika**[®] OPEP device. The manometer serves as an indicator for patient expiratory pressure. It is an optional accessory to the **Aerobika**[®] Oscillating Positive Expiratory Pressure (OPEP) device.

Performance Characteristic	10 L/min	30 L/min
Frequency (Hz)	6-8	14-18
Mean Pressure (cmH ₂ O)	6-10	17-21
Amplitude (cmH ₂ O)	10-16	16-20

INSTRUCTIONS FOR USE

Please read the **Aerobika**[®] OPEP device Instructions for Use prior to using these instructions. An electronic version of these Instructions for Use is available for download at www.trudellmed.com

SETTING UP YOUR MANOMETER WITH THE AEROBIKA[®] OPEP DEVICE

(See page 3, figure [6]. For device descriptions, see page 2, figure [5].)

Before use, ensure these instructions have been read and are kept available at all times. If you have questions about the performance or usability of this device, please contact your healthcare professional prior to use.

Note: If there is any visible dust or other debris inside, then clean the device. Replace immediately if it is damaged or has missing parts.

1 Remove the mouthpiece from the **Aerobika**[®] OPEP device.

2 Insert the mouthpiece onto the end of the manometer adapter.

3 Once the mouthpiece is inserted, ensure that the manometer gauge is securely attached in place and rotate so the numbers are facing upward.

4 Insert the adapter onto the **Aerobika**[®] OPEP device in place of the mouthpiece as shown.

Note: Follow the proper method for using your **Aerobika**[®] OPEP device, contained in the Instructions for Use manual.

5 As you exhale actively, the manometer gauge indicator will rise based on your exhalation pressure.

6 For each exhalation, maintain the pressure level recommended by your healthcare professional.

⚠ CAUTION

- The device scale is not for OPEP therapy. The correct pressure must be determined by a physician.

⚠ WARNING

- Do not leave the device unattended with children. Contains small parts that can cause choking.

① NOTES

- SINGLE PATIENT USE
- Any serious incident that has occurred in relation to the device should be reported to the manufacturer and the competent authority of the Member State.

CLEANING AND DISINFECTING YOUR MANOMETER ADAPTER

(see page 3, figure [7](#))

- 1** Remove the manometer adapter from the **Aerobika**[®] OPEP device.
- 2** Remove the mouthpiece from the manometer adapter.
- 3** Remove the manometer gauge from the manometer adapter.
- 4** The mouthpiece and manometer adapter may be cleaned in soap and water, allowing parts to soak for 15 minutes. Agitate gently. Rinse parts in clean water. **OR** Place parts in a dishwasher basket on the top rack. Wash in a normal cycle. Shake to remove excess water and allow to air dry thoroughly before reassembly.

DISINFECTION

The mouthpiece and manometer adapter may be disinfected weekly using any of the following methods:

- i. Electronic Steam Sterilizer (according to manufacturer's instructions).
 - ii. Boil for 5 minutes.
 - iii. Microwave Steam Bag (according to manufacturer's instructions).
 - iv. Soak in 70% isopropyl alcohol for 5 minutes. Rinse well.
 - v. Soak in 3% hydrogen peroxide for 30 minutes. Rinse well.
- Allow to air dry thoroughly before reassembly.

⚠ CAUTION

- Do not clean or disinfect the manometer gauge as it can be damaged or malfunction if any liquids get inside.

① NOTES

- The manometer should be replaced after 6 months of use or immediately if damaged.
- This device has not been made with BPA (Bisphenol A) or natural rubber latex.
- Store the manometer with the **Aerobika**[®] OPEP device in a dry, dust-free place.

DISPOSAL

The manometer (adapter and gauge) can be disposed of with domestic waste unless this is prohibited by the disposal regulations prevailing in the respective member countries.

ADDITIONAL INFORMATION

Storage Conditions	-40° to 140°F (-40° to 60°C), ambient to 75% Relative Humidity (RH)
Operating Conditions	+59° to 113°F (+15° to 45°C), ambient to 85% RH
Measurement Error	0 – 30 cm H ₂ O = ± 2 cm H ₂ O 30 – 40 cm H ₂ O = ± 3 cm H ₂ O 40 – 60 cm H ₂ O = ± 5 cm H ₂ O

FR

Dispositif Aerobika[®]

UTILISATION PRÉVUE

Le dispositif de pression expiratoire positive par oscillations **Aerobika**[®] est destiné à être utilisé comme dispositif de pression expiratoire positive (PEP). Le dispositif **Aerobika**[®] peut également être utilisé en même temps qu'un médicament en aérosol administré à l'aide d'un nébuliseur. Le dispositif est destiné à être utilisé par des patients capables de générer un débit d'expiration de 10 L/min pendant 3 à 4 secondes.

INDICATION(S)

Le dispositif de PEP par oscillations **Aerobika**[®] est un dispositif thérapeutique de dégagement des voies respiratoires utilisé pour mobiliser les sécrétions pulmonaires excédentaires et améliorer la respiration. Il peut être utilisé pour la prise en charge des affections respiratoires comme la MPOC, la bronchectasie et la fibrose kystique. Utilisation chez un seul patient.

CONTRE-INDICATIONS

L'utilisation du dispositif n'est pas recommandé dans les cas suivants :

- Patients incapables de tolérer tout effort respiratoire accru
- Pression intracrânienne (PIC) > 20 mm Hg
- Instabilité hémodynamique (instabilité de la tension artérielle)
- Chirurgie ou traumatisme récent du visage, de la bouche ou du crâne
- Sinusite aiguë
- Épistaxie (saignement de nez)
- Chirurgie œsophagienne
- Nausées
- Hémoptysie active (saignement des poumons)
- Pneumothorax non traité (poumon collabé non traité)

- Rupture connue ou suspectée de la membrane tympanique ou autre pathologie de l'oreille moyenne

⚠ AVERTISSEMENTS

L'utilisation du dispositif à des pressions excessives peut avoir des effets indésirables. Les pressions expiratoires supérieures à 20 cm H₂O chez les patients sensibles à une pression transpulmonaire accrue peuvent entraîner l'un ou plusieurs des effets secondaires indésirables énumérés ci-dessous. Un jugement clinique expert doit être exercé dans la sélection du réglage approprié pour chaque patient. Si le réglage de résistance sur l'indicateur ne correspond pas au débit d'expiration du patient, les objectifs du traitement par PEP par oscillations pourraient ne pas être atteints; l'un ou plusieurs des effets secondaires indésirables ci-dessous pourraient aussi survenir.

Les effets indésirables peuvent comprendre :

- Une augmentation de l'effort respiratoire pouvant conduire à l'hypoventilation et à l'hypercapnie
- Une augmentation de la pression crânienne
- Des troubles cardiovasculaires
 - Une ischémie myocardique
 - Une diminution du retour veineux
- Une déglutition d'air avec risque accru de vomissement et d'aspiration
- Une claustrophobie
- Des barotraumatismes pulmonaires

MODE D'EMPLOI

Avant toute utilisation, s'assurer que les présentes instructions ont été lues et qu'elles sont accessibles en tout temps. En cas de questions sur les performances ou l'utilisation de ce produit, s'adresser à un professionnel de la santé avant de l'utiliser. Pour l'identification des pièces du dispositif, voir la figure 1 présentée à la page 1.

⚠ **Avertissement** : Ne pas laisser le dispositif sans surveillance avec des enfants. Contient des petites pièces qui peuvent causer un étouffement.

PRÉPARATION DU DISPOSITIF

Le réglage de la résistance du dispositif **Aerobika**[®] doit être effectué par un professionnel de la santé en suivant les étapes suivantes :

1 Commencer par le réglage intermédiaire de l'indicateur de résistance (page 1, figure 3).

2 Le patient étant en position assise confortable, lui faire inspirer à travers le dispositif en prenant une respiration plus profonde que la normale, mais sans atteindre la capacité pulmonaire totale, puis le faire expirer vivement, mais sans forcer à travers le dispositif.

3 La résistance doit être réglée de manière à ce que l'expiration dure 3 à 4 fois plus longtemps que l'inhalation. La résistance peut être augmentée en déplaçant l'indicateur vers la gauche. Pour réduire la résistance, déplacer l'indicateur vers la droite.

Remarque : La sélection du réglage de résistance approprié produira le rapport de débit d'inspiration/expiration souhaité de 1:3 ou 1:4 pendant 10 à 20 minutes sans fatigue excessive.

4 Les patients doivent être réévalués périodiquement ou lors de tout changement d'état. À mesure que les voies respiratoires sont moins encombrées, une plus grande résistance sera nécessaire pour maintenir le rapport de débit d'inspiration/expiration.

UTILISATION DU DISPOSITIF

Les traitements doivent être effectués deux fois par jour ou selon les directives du professionnel de la santé. Bien que le dispositif **Aerobika**[®] s'utilise indépendamment de la position du patient, il est recommandé que les traitements soient effectués lorsque le patient se trouve dans une position assise confortable (page 2, figure 4).

1 Examiner attentivement le dispositif.

- S'il y a de la poussière ou d'autres débris visibles à l'intérieur, nettoyer le dispositif. Remplacer immédiatement le dispositif s'il est endommagé ou si des pièces sont manquantes.
- S'assurer que l'indicateur de résistance est réglé comme prescrit par le professionnel de la santé.
- Presser doucement les deux boîtiers ensemble pour s'assurer que les pattes de fixation sont bien enclenchées.

2 Mettre l'embout buccal dans la bouche et fermer les lèvres autour pour assurer une étanchéité efficace. S'assurer que la main ne bloque pas le chemin d'expiration à l'arrière du dispositif.

3 Inspirer à travers le dispositif en prenant une respiration plus profonde que la normale, mais ne pas remplir totalement les poumons. Retenir son souffle pendant 2 à 3 secondes avant d'expirer.

4 Expirer activement, mais pas avec force, à travers le dispositif. Idéalement, l'expiration devrait durer 3 à 4 fois plus longtemps que l'inhalation. Garder les joues plates et fermes pour maximiser l'efficacité du traitement. Maintenir une bonne étanchéité de l'embout buccal pendant toute la durée du traitement.

Remarque : S'il n'est pas possible d'expirer à travers le dispositif, vérifier le réglage de la résistance ou tenter de nettoyer soigneusement le dispositif.

5 Continuer à prendre des inspirations profondes et à expirer longuement pendant 10 à 20 respirations, ou selon les directives du professionnel de la santé. Après au moins 10 respirations, effectuer 2 ou 3 toussotements pour dégager les voies respiratoires. Le professionnel de la santé vous enseignera la bonne technique. Pour une efficacité maximale, tenter de réprimer la toux jusqu'à la fin du traitement.

6 Répéter les étapes 3 à 5 pendant 10 à 20 minutes ou comme indiqué par le professionnel de la santé. La procédure complète doit être effectuée au moins deux fois par jour de façon régulière et portée à 3-4

fois par jour en cas de production de beaucoup de mucus.

L'objectif est de garder les poumons dégagés et une capacité ventilatoire élevée. Continuer les traitements de façon régulière, même en cas de production de peu de mucus.

UTILISATION AVEC UN NÉBULISEUR

Le dispositif **Aerobika*** peut également être utilisé avec un nébuliseur de petit volume doté d'un raccord de 22 mm. Votre professionnel de la santé vous conseillera sur les médicaments à utiliser pour les traitements combinés.

Les médicaments qui ouvrent les voies respiratoires (p. ex. l'albutérol) ou qui aident à éclaircir le mucus (p. ex. les solutions salées hypertoniques) seraient de bons choix à utiliser avec le dispositif **Aerobika***, car ils aident à éliminer ou à éclaircir le mucus dans les poumons.

⚠ **Mise en garde** : Les médicaments qui restent dans les poumons, comme les antibiotiques, doivent être pris avec le nébuliseur seul après avoir terminé un traitement avec le dispositif **Aerobika***.

1 S'assurer d'avoir lu et compris le mode d'emploi fourni avec le nébuliseur avant de commencer le traitement.

2 S'assurer que le nébuliseur est correctement réglé et que des médicaments ont été ajoutés dans la coupelle du nébuliseur. Retirer l'embout buccal (ou le masque) du nébuliseur.

3 Fixer le nébuliseur au raccord de nébuliseur du dispositif **Aerobika***, comme l'indique la figure 2 (page 1).

4 Mettre en marche la source d'air comprimé, puis terminer le traitement combiné en utilisant la technique respiratoire décrite ci-dessus.

Remarques :

- Aucun adaptateur n'est nécessaire si le dispositif est utilisé avec les nébuliseurs actionnés par la respiration de la marque **AEROECLIPSE***.
- S'assurer que le nébuliseur reste en position verticale pour une nébulisation adéquate.
- Toujours s'assurer que l'embout buccal du dispositif **Aerobika*** est utilisé. Dans le cas contraire, le dispositif ne fonctionnera pas correctement (page 1, figure 2)
- S'il est utilisé en combinaison avec un nébuliseur, le dispositif **Aerobika*** doit être nettoyé après chaque utilisation afin d'éliminer tout résidu qui aurait pu se déposer lors de l'expiration.

INSTRUCTIONS DE NETTOYAGE ET DE DÉSINFECTION

Les professionnels de la santé doivent toujours faire preuve de jugement clinique pour choisir la méthode et la fréquence de nettoyage et de désinfection appropriées, en fonction des besoins du patient.

Si nécessaire, nettoyer le dispositif **Aerobika*** une fois par jour.

Remarque : Pour que le dispositif fonctionne correctement, il est important de le nettoyer adéquatement et régulièrement.

1 DÉMONTAGE

i. Appuyer sur les pattes de fixation situées de chaque côté du dispositif. En maintenant les pattes appuyées vers l'intérieur, tirer doucement sur le boîtier supérieur jusqu'à ce que les deux boîtiers se séparent.

ii. Retirer la cartouche à soupape. Ne pas démonter les pièces de la cartouche.

iii. Pour retirer l'embout buccal, il faut le saisir fermement et le faire tourner tout en l'éloignant du dispositif.

2 NETTOYAGE

Nettoyer le dispositif **Aerobika*** à l'aide de l'une des deux méthodes suivantes.

A Eau savonneuse

i. Laver les quatre pièces dans une solution composée d'eau du robinet et de détergent à vaisselle liquide, en laissant tremper les pièces pendant 15 minutes. Agiter doucement plusieurs fois.

ii. Rincer à l'eau du robinet.

iii. Secouer les pièces pour éliminer tout excès d'eau.

Remarque : L'eau du robinet peut être riche en minéraux, ce qui peut entraîner une accumulation de calcaire dans le dispositif. Si l'eau du robinet est riche en minéraux dans votre région, faire tremper chaque mois le dispositif démonté dans une solution composée de 1 tasse de vinaigre et de 1 tasse d'eau pendant 1 heure, puis le laver normalement.

B Lave-vaisselle

i. Placer les quatre pièces dans un panier placé dans le bac supérieur.

ii. Laver au cycle de lavage normal avec du détergent pour lave-vaisselle et un produit de rinçage si possible.

iii. Secouer les pièces pour éliminer tout excès d'eau.

Remarque : Il n'est pas recommandé de laver les pièces avec de la vaisselle très sale.

3 REMONTAGE

i. S'assurer que les pièces ont entièrement séché à l'air.

ii. Insérer la cartouche à soupape dans le boîtier inférieur. Si elle ne s'insère pas facilement en place, la faire pivoter de 180° et essayer à nouveau.

iii. Assembler les boîtiers supérieur et inférieur jusqu'à ce que les deux pattes de fixation s'enclenchent en faisant entendre chacune un clic (cela peut se produire simultanément). S'assurer que les pattes sont bien engagées en pressant fermement les deux boîtiers ensemble.

iv. Remettre l'embout buccal en place.

4 DÉSINFECTION

Si cela est jugé cliniquement nécessaire pour le patient, les professionnels de la santé peuvent demander au patient de nettoyer et de désinfecter le dispositif selon des méthodes et des fréquences spécifiques (après chaque utilisation).

Avant la désinfection, suivre les instructions de démontage et de nettoyage, mais ne pas remonter le dispositif.

Désinfecter le dispositif **Aerobika*** à l'aide de l'une des méthodes suivantes.

A Stérilisateur à vapeur électronique

i. Placer les quatre pièces dans un stérilisateur à vapeur électronique, puis suivre le mode d'emploi du fabricant.

ii. Sortir les pièces du stérilisateur et bien les laisser sécher à l'air avant le remontage.

B Eau bouillante

i. Placer les quatre pièces dans une casserole contenant de l'eau bouillante, puis faire bouillir pendant 5 minutes.

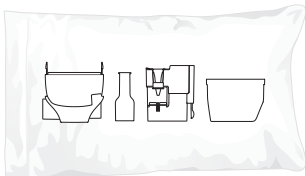
Remarque : Placer une petite grille au fond de la casserole pour éviter que les pièces en plastique n'entrent en contact avec le fond chaud.

ii. Retirer les pièces de l'eau sans les toucher, puis bien les laisser sécher à l'air avant le remontage.

C Sac à vapeur allant au micro-ondes

i. Placer les quatre pièces dans un sac à vapeur allant au micro-ondes (c.-à-d. le sac Quick-Clean[®] MicroSteam[®]) et suivre le mode d'emploi du fabricant.

Remarque : Placer les pièces dans le sac comme l'indique :



ii. Sortir les pièces du sac et bien les laisser sécher à l'air avant le remontage.

D Alcool isopropylique

i. Immerger les quatre pièces dans de l'alcool isopropylique à 70 % pendant 5 minutes.

ii. Rincer abondamment à l'eau stérile.

iii. Bien laisser sécher à l'air avant le remontage.

E Peroxyde d'hydrogène

i. Immerger les quatre pièces dans du peroxyde d'hydrogène à 3 % pendant 30 minutes.

ii. Rincer abondamment à l'eau stérile.

iii. Bien laisser sécher à l'air avant le remontage.

F Eau de Javel

i. Immerger les quatre pièces dans une solution composée d'une part d'eau de Javel diluée dans 50 parts d'eau (1 cuillère à soupe d'eau de Javel dans 3¼ tasses d'eau) pendant 3 minutes.

Remarque : La solution d'eau de Javel peut être remplacée par un désinfectant pour appareils respiratoires (comme Milton[®], Dodie[®], Control III[®] ou Cidex[®]). Suivre le mode d'emploi du désinfectant.

ii. Rincer abondamment à l'eau stérile.

iii. Bien laisser sécher à l'air avant le remontage.

① REMARQUE

Tout incident grave survenu en rapport avec le dispositif doit être signalé au fabricant et à l'autorité compétente du pays membre.

ENTREPOSAGE

Une fois le dispositif **Aerobika*** complètement sec et assemblé, le ranger dans un sac ou un récipient en plastique propre.

MISE AU REBUT

Le dispositif peut être jeté avec les déchets ménagers, sauf si cela est interdit par la réglementation de mise au rebut en vigueur dans les pays membres respectifs.

INFORMATIONS SUPPLÉMENTAIRES

Températures d'utilisation tolérées :

+15 °C à +40 °C

Températures d'entreposage tolérées :

-40 °C à +60 °C

• Ce produit ne contient pas de bisphénol A (BPA), de phtalates, de latex, de plomb ou de PVC.

Accessoire de manomètre

UTILISATION PRÉVUE

Le manomètre est conçu pour être utilisé par un seul patient comme accessoire pour le dispositif de pression expiratoire positive par oscillations (PEPO) **Aerobika*** pour indiquer la pression expiratoire du patient.

BIENFAIT CLINIQUE

Le bienfait clinique pour le patient est la capacité de recevoir une rétroaction lorsqu'il utilise le dispositif de PEPO **Aerobika***. Le manomètre sert d'indicateur de la pression expiratoire du patient. Il s'agit d'un accessoire facultatif pour le dispositif de pression expiratoire positive par oscillations (PEPO) **Aerobika***.

Caractéristiques de performance	10 L/min	30 L/min
Fréquence (Hz)	6-8	14-18
Pression moyenne (cm H ₂ O)	6-10	17-21
Amplitude (cm H ₂ O)	10-16	16-20

MODE D'EMPLOI

Veuillez consulter le mode d'emploi du dispositif de PEPO **Aerobika*** avant de lire le présent mode d'emploi. Une version électronique du mode d'emploi peut être téléchargée sur le site www.truedellmed.com.

INSTALLATION DU MANOMÈTRE SUR LE DISPOSITIF DE PEPO AEROBIKA*

(Voir la page 3, figure 6). Pour l'identification des pièces du dispositif, voir la figure 5 présentée à la page 2.)

Avant toute utilisation, assurez-vous de lire les présentes instructions et qu'elles sont accessibles en tout temps. En cas de questions sur les performances ou l'utilisation du dispositif, adressez-vous à un professionnel de la santé avant de l'utiliser.

Remarque : S'il y a de la poussière ou d'autres débris visibles à l'intérieur, nettoyez le dispositif. Remplacez immédiatement le dispositif s'il est endommagé ou si des pièces sont manquantes.

1 Retirez l'embout buccal du dispositif de PEPO **Aerobika***.

2 Insérez l'embout buccal sur l'extrémité de l'adaptateur pour manomètre.

3 Une fois l'embout buccal inséré, assurez-vous que le manomètre est bien fixé et tournez-le afin que les chiffres soient orientés vers le haut.

4 Insérez l'adaptateur sur le dispositif de PEPO **Aerobika*** à la place de l'embout buccal, comme illustré.

Remarque : Utilisez votre dispositif de PEPO **Aerobika*** selon la méthode appropriée, qui se trouve dans le mode d'emploi.

5 Lorsque vous expirez activement, l'indicateur du manomètre montera en fonction de votre pression d'expiration.

6 Pour chaque expiration, maintenez la pression recommandée par votre professionnel de la santé.

⚠ MISE EN GARDE

• L'échelle du dispositif ne sert pas au traitement par PEPO. La pression appropriée doit être déterminée par un médecin.

⚠ AVERTISSEMENT

• Ne laissez pas le dispositif sans surveillance avec des enfants. Il contient de petites pièces qui peuvent causer un étouffement.

① REMARQUES

• UTILISATION CHEZ UN SEUL PATIENT
• Tout incident grave survenu en rapport avec le dispositif doit être signalé au fabricant et à l'autorité compétente du pays membre.

NETTOYAGE ET DÉSINFECTION DE L'ADAPTATEUR POUR MANOMÈTRE

(voir la page 3, figure 7)

1 Retirez l'adaptateur pour manomètre du dispositif de PEPO **Aerobika***.

2 Retirez l'embout buccal de l'adaptateur pour manomètre.

3 Retirez le manomètre de l'adaptateur pour manomètre.

4 L'embout buccal et l'adaptateur pour manomètre peuvent être nettoyés avec de l'eau et du savon; laissez les pièces tremper pendant 15 minutes. Agitez doucement. Rincez les pièces à l'eau claire. **OU** Placez les pièces dans un panier pour lave-vaisselle dans le tiroir supérieur. Lavez au cycle normal. Secouez les pièces pour enlever l'excédent d'eau et laissez-les sécher à l'air avant de les réassembler.

DÉSINFECTION

L'embout buccal et l'adaptateur pour manomètre peuvent être désinfectés chaque semaine au moyen de l'une des méthodes suivantes :

i. Stérilisateur à vapeur électronique (selon les instructions du fabricant).

ii. Faites bouillir les pièces pendant 5 minutes.

iii. Sac à vapeur pour four à micro-ondes (selon les instructions du fabricant).

iv. Faites tremper les pièces dans de l'alcool isopropylique à 70 % pendant 5 minutes. Rincez-les bien.

v. Faites tremper les pièces dans du peroxyde d'hydrogène à 3 % pendant 30 minutes. Rincez-les bien.

Laissez-les bien sécher à l'air avant de les réassembler.

⚠ MISE EN GARDE

• Ne nettoyez pas et ne désinfectez pas le manomètre, car il pourrait être endommagé ou mal fonctionner si des liquides se trouvent à l'intérieur.

① REMARQUES

• Le manomètre doit être remplacé après 6 mois d'utilisation ou immédiatement s'il est endommagé.
• Ce dispositif n'a pas été fabriqué à partir de bisphénol A (BPA) ou de latex de caoutchouc naturel.
• Rangez le manomètre avec le dispositif de PEPO **Aerobika*** dans un endroit sec et sans poussière.

MISE AU REBUT

Le manomètre et son adaptateur peuvent être jetés avec les déchets ménagers, sauf si cela est interdit par la réglementation de mise au rebut en vigueur dans les pays membres respectifs.

INFORMATIONS SUPPLÉMENTAIRES

Conditions d'entreposage -40 à 140 °F (-40 à 60 °C), humidité relative (HR) ambiante de 75 %

Conditions de fonctionnement +59 à 113 °F (+15 à 45 °C), HR ambiante de 85 %

Erreur de mesure
0-30 cm H₂O = ± 2 cm H₂O
30-40 cm H₂O = ± 3 cm H₂O
40-60 cm H₂O = ± 5 cm H₂O